



TYPICAL

GC6160 MD3

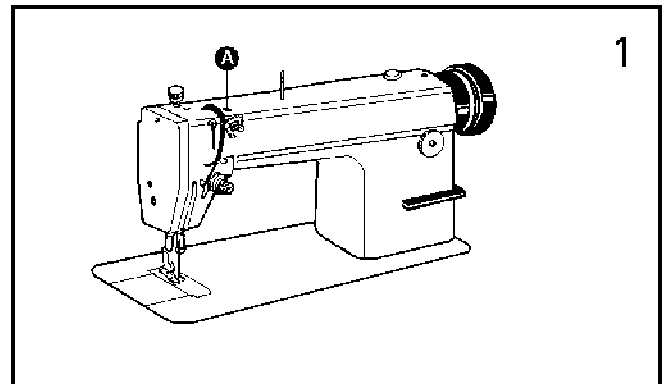
GC6160 HD3

HIGH SPEED NEEDLE FEED LOCKSTITCH MACHINE
WITH AN AUTOMATIC THREAD TRIMMER
INSTRUCTION BOOK
PARTS CATALOGUE

XI'AN TYPICAL INDUSTRIES CO., LTD.

※NOTE (Fig. 1)

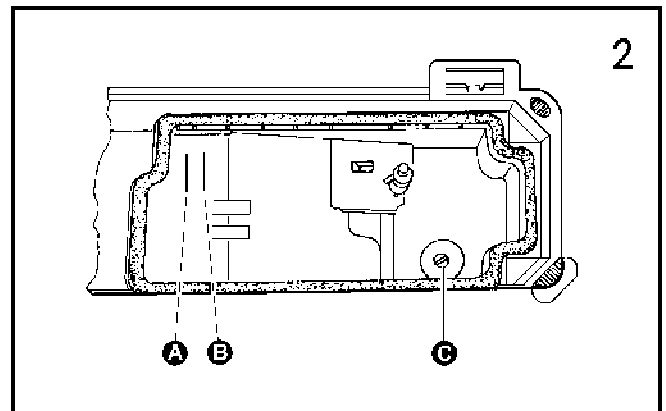
Before putting a new machine into operation, run-in operation is required for a new machine. Remove the rubber plug (A) on the top of arm replenish sufficient amount of oil, then lift the presser foot and run the machine at a low speed of 2000 spm to check oil distributing condition through oil check window. When lubricating is normal, keep the machine run in at this speed for 30 minutes, then increase the running speed gradually, after one month run-in operation, the machine can be run at the Max speed under normal working condition.



1. OIL FILLING (Fig. 2)

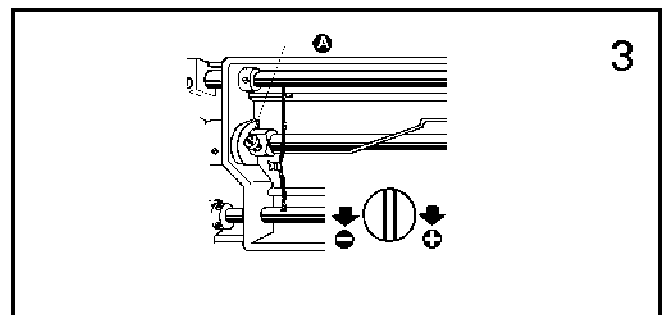
1) The oil amount in the oil reservoir is controlled through the reference marks A and B shown in Fig2. The mark A indicates the max. oil amount level, the mark B for the min. oil amount level. If the oil amount level is under the mark B, replenish the oil reservoir with oil in time.

2) When filling oil, loosen the oil draining screw (C), drain off the remaining oil in the oil reservoir completely, clean the oil reservoir and tighten the oil draining screw (C), then fill the oil reservoir with fresh oil.



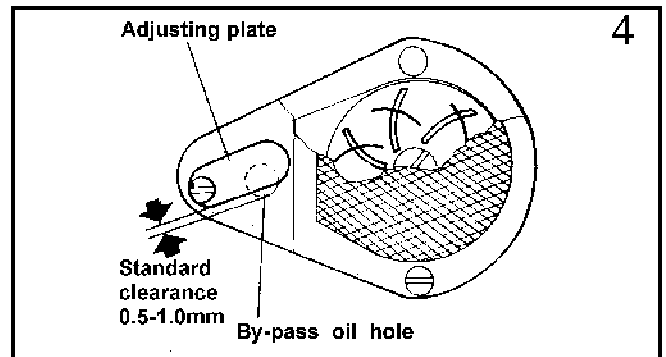
2. ROTATING HOOK OIL AMOUNT ADJUSTMENT (Fig. 3)

Adjust the oil amount of the rotating hook by turning the oil amount adjusting screw (A). Turn the screw (A) clockwise (in the "+" direction) to increase the oil amount; turn it counter-clockwise (in the "-" direction) to decrease the oil amount.



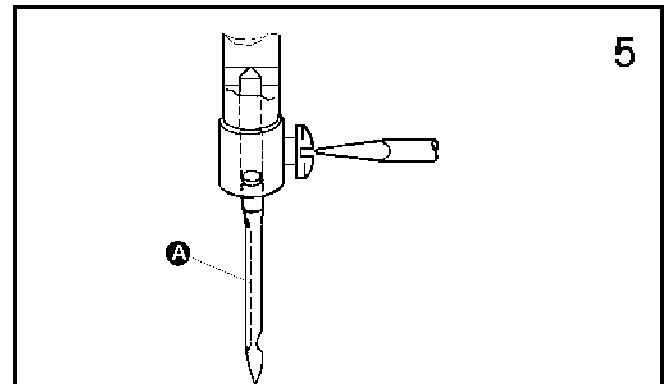
3. OIL PUMP ADJUSTMENT (Fig. 4)

In ordinary operation, adjustment is not required for the oil pump. If oil splashing does not occur in the oil check window when the machine runs at a low speed (approx. 2000 spm), close the clearance of the bypass oil hole.



4. NEEDLE INSTALLATION (Fig. 5)

Turning the balance wheel to lift the needle bar to the upper end of its stroke. Loosen the needle clamp screw while keeping the long groove of the needle leftward, fully insert the needle shank up to the bottom of the needle socket, then tighten the needle clamp screw.



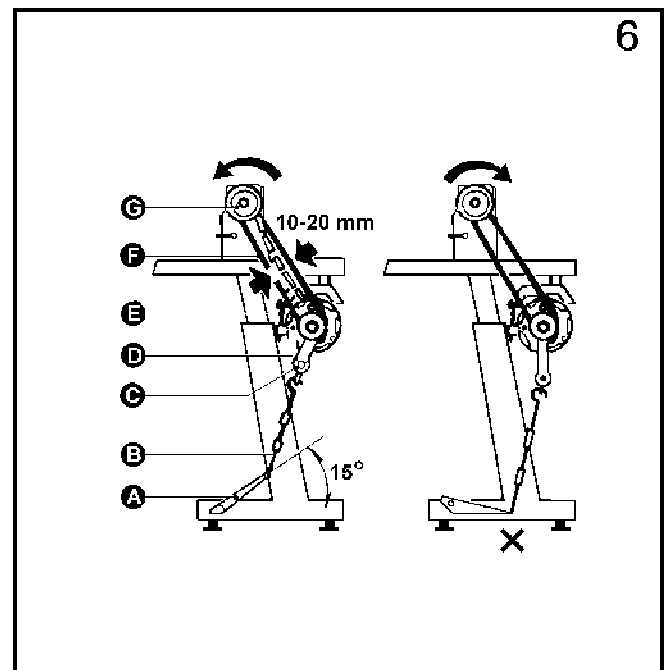
5. CONNECTION OF THE CLUTCH LEVER WITH THE PEDAL (Fig. 6)

1) . The optimum tilt angle of pedal is approximately 15 deg.

2) . Adjust the clutch so that the clutch lever (C) align with the draw bar (B) as shown in Fig. 6

3) . The machine pulley should rotate counter-clockwise when viewed from the outside of it. The rotating direction of the motor pulley can be reversed by turning the plug of the motor at 180 deg.

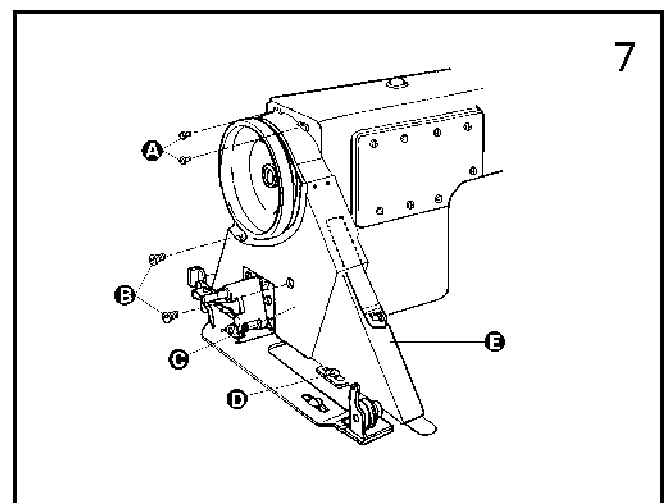
4) . Adjust the tension of O-belt (F) by moving the motor up and down. The proper tension of the O-belt is a slack of 10-20 mm when the belt is depressed at the center of the belt by finger.



6. BELT COVER INSTALLATION (Fig. 7)

Install the belt cover for the sake of safety.

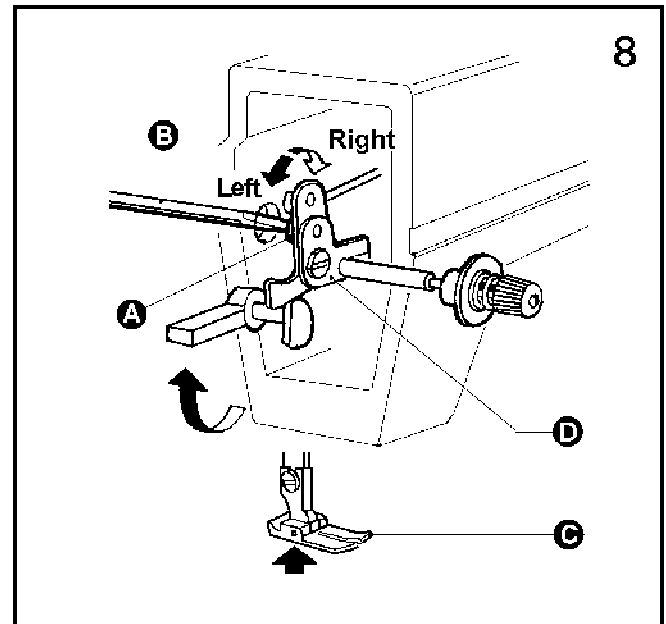
Install belt cover (C) to arm with screw (A) and screw (B), and install belt cover (E) on board with screw (D).



7. ADJUST THE OPENING TIME OF THE TENSION DISCS (Fig. 8)

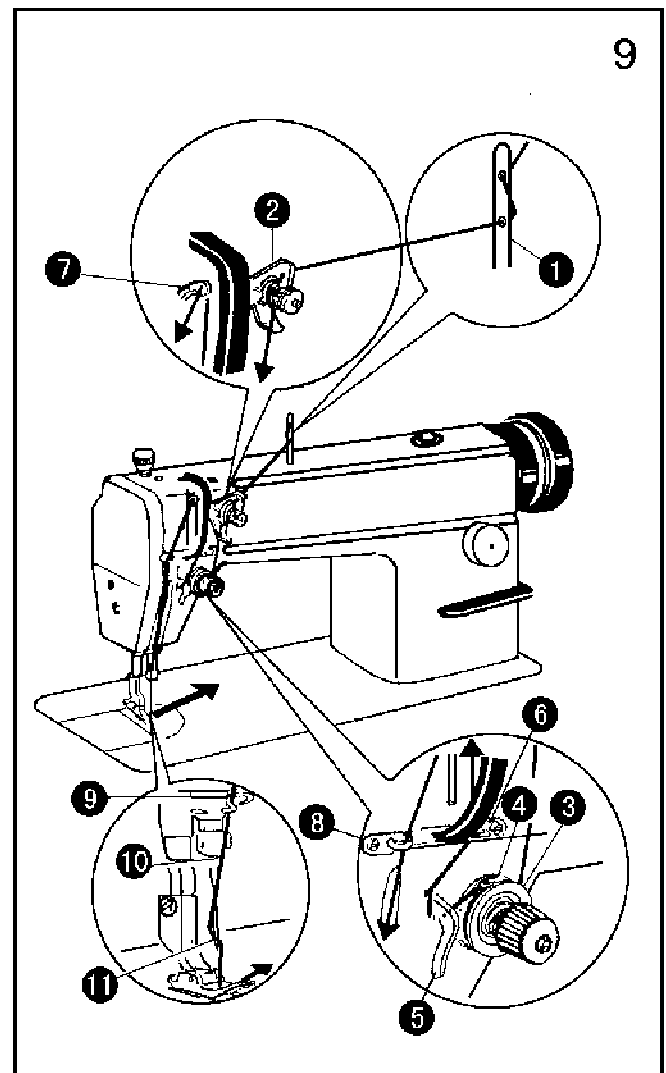
With in the presser foot lift range , the opening time of the tension discs can be adjusted as follows:

- 1). Remove the rubber plug from the back of the arm and loosen the screw (A) of the knee lift lever (left).
- 2). Move the tension releasing cam (D) leftward for ear –lier opening or rightward for later opening . It will facilitate the adjustment if putting a block under the presser foot lift.



8. THREADING (Fig. 9)

To thread the needle thread, raise the needle bar to the upper end of its stroke , lead the thread from the spool and perform threading as shown in Fig.9. To draw the bobbin thread, hold the end of the needle thread and turn the balance wheel to lower the needle bar and then lift it to its highest position. Pull the ends of needle thread and bobbin thread frontward under presser foot.

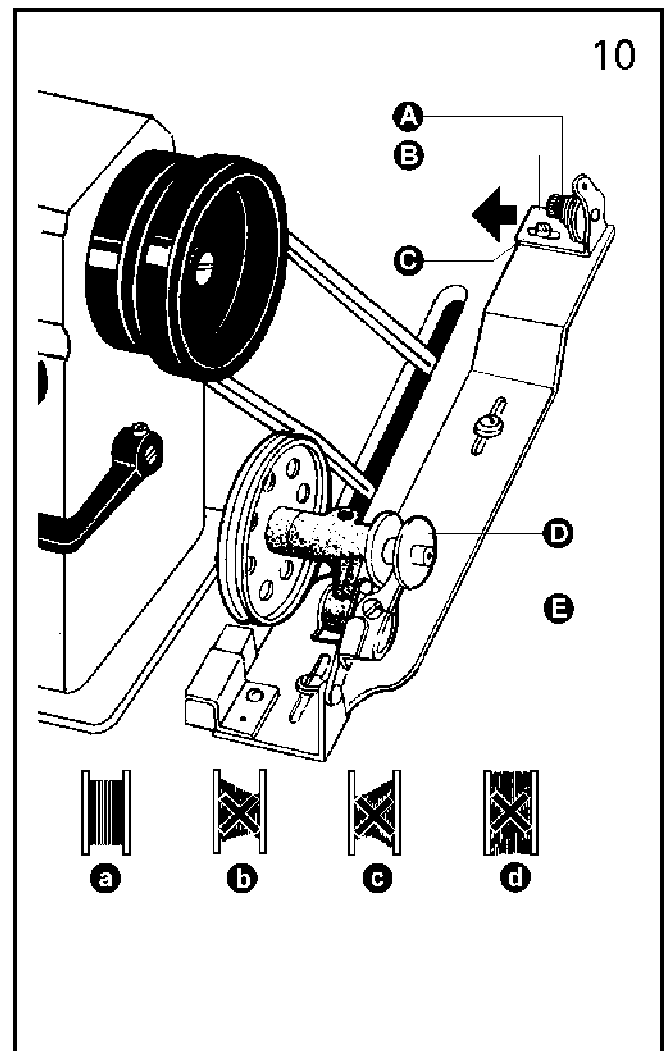


9. WINDING INSTALLATION AND ADJUSTMENT (Fig. 10)

The bobbin winder pulley should align with the V-belt and there should be some clearance between them. When the bobbin winder stop latch lever is depressed, the V-belt should be in touch with the bobbin winder pulley in order that the bobbin winder puller can be driven by the V-belt.

The thread wound on the bobbin should be neat and tight, if not tight, adjust the winding tension by turning the tension stud nut (A) of the bobbin winder tension bracket. When the thread wound on the bobbin does not present a cylindrical shape as shown in Fig. 10(a), loosen the set screw (B) of the bobbin winder tension bracket and move the bracket (C) leftward or rightward. If the thread is wound as shown in the figure (b), move the bracket rightward or if wound as shown in the figure (c), move it leftward. After positioning the bracket adequately, tighten the set screw (B).

Do not overfill the bobbin. The optimum wound length of the thread will fill about 80% of the bobbin capacity. This can be adjusted by the screw (E) of the bobbin winder stop latch.

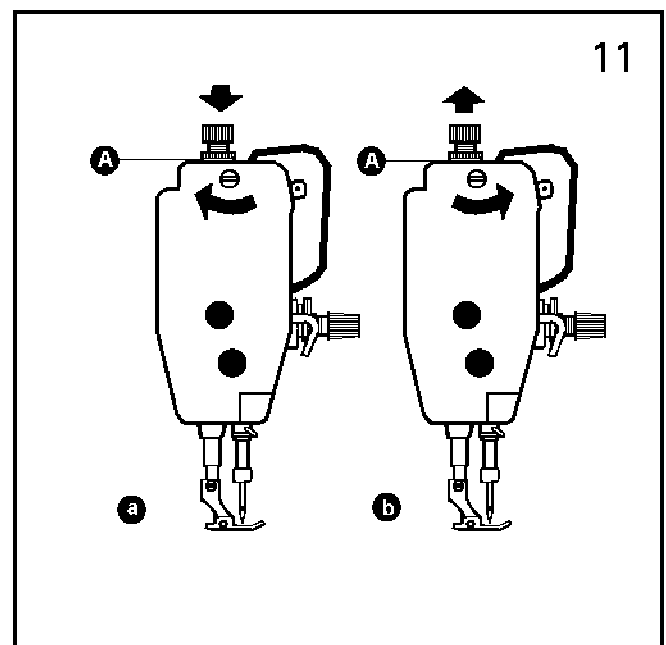


10. ADJUST THE PRESSURE OF PRESSER FOOT (Fig. 11)

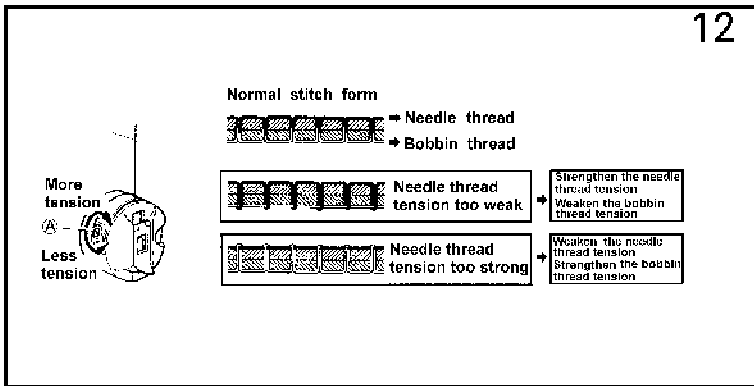
Pressure of the presser foot is adjusted in accordance with thickness of materials to be sewn.

First loosen the lock nut (A), for heavy materials, turn the pressure regulating thumb screw as shown in Fig. 11(a) to increase the pressure, while for light materials, turn the pressure regulating thumb screw as shown in Fig. 11(b) to decrease the pressure, then tighten the lock nut (A).

The pressure of the presser foot is recommended to be less as long as normal feeding is ensured.

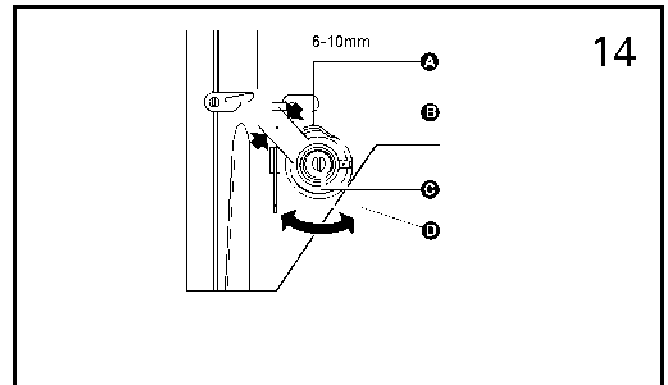
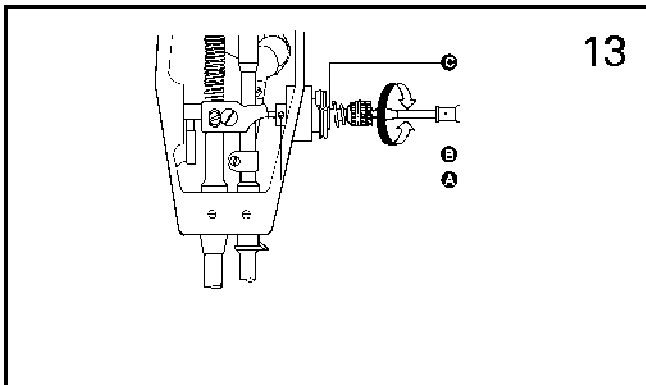


11. THREAD TENSION ADJUSTMENT (Fig. 12, 13, 14)



Thread tension should be determined in accordance with the stitches obtained by adjusting the tension of the bobbin thread and needle tension (Fig. 12).

The tension of the bobbin thread: to be adjusted by turning the tension spring regulating screw of the bobbin case. After adjusting, insert the bobbin into the bobbin case and hold the end of the thread from the bobbin case to hang the bobbin case, if the bobbin case falls slowly and evenly, the proper tension of the bobbin thread is obtained.



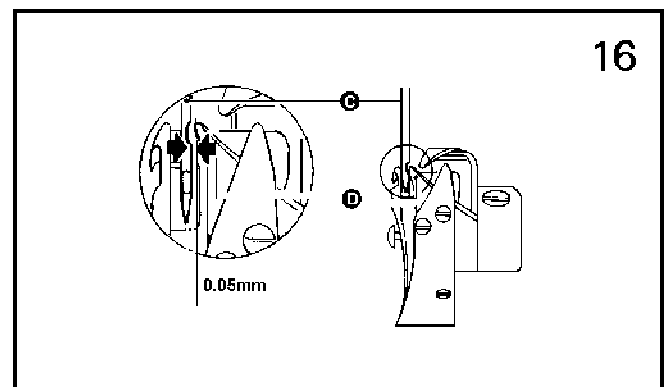
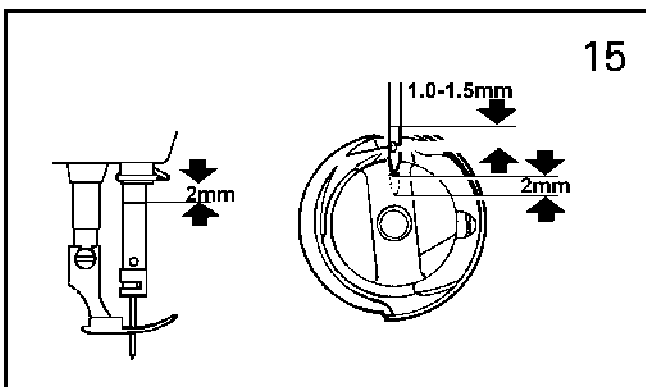
The tension of the needle thread: to be adjusted by turning the thumb nut.

The stroke of the thread take-up spring runs from 6mm to 10mm. When sewing very thin fabrics, reduce the thread take-up spring tension and increase the thread take-up spring stroke, whereas increase the thread take-up spring tension and reduce the thread take-up stroke when sewing very thick fabrics.

Adjusting the thread take-up spring tension: (Fig. 13) First loosen the set screw (A), turn the tension stud (B) counter-clockwise to decrease the tension of the thread take-up spring (C) to zero, then turn the tension stud (B) clockwise till the spring (C) comes to the notch of the tension regulating bushing, and again turn the tension stud (B) halfway back (counter-clockwise). After the adjustment, tighten the set screw (A).

Adjusting the thread take-up spring stroke: (Fig. 14) loosen the set screw (B), turn the stud (C) clockwise to increase the stroke or turn the stud (C) counter-clockwise to decrease the stroke. After the adjustment, tighten the set screw (B).

12. ADJUST THE SYNCHRONIZATION OF THE NEEDLE WITH ROTATING HOOK (Fig. 15, 16)



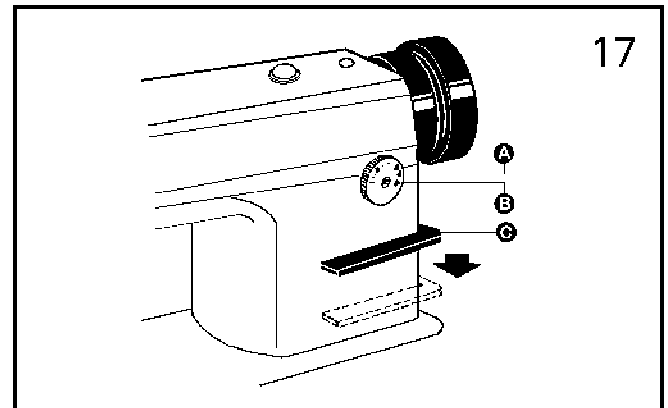
When lifting the needle bar from its lowest position of the stroke to the distance A, the hook point D of the bobbin should align with the center line of the needle and be 1.0 – 1.5 mm above the upper end of the needle eye. (Fig. 15)

The clearance between the bottom of the needle notch and the hook point should be 0.05 mm (Fig. 16).

13. ADJUSTMENT OF STITCH LENGTH AND REVERSE FEEDING (Fig. 17)

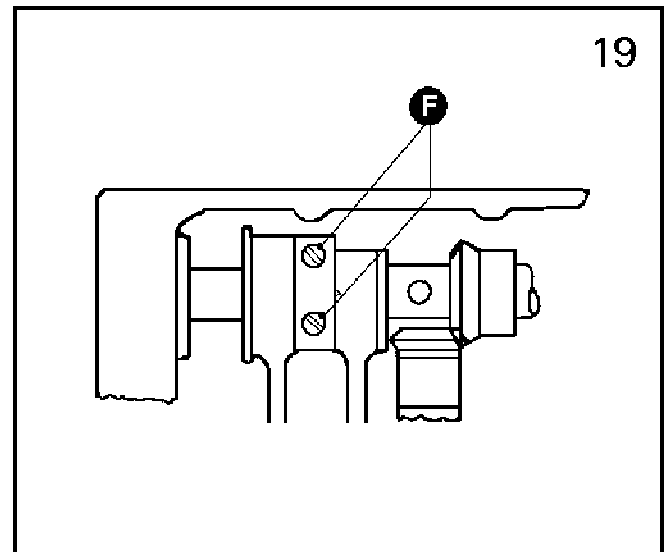
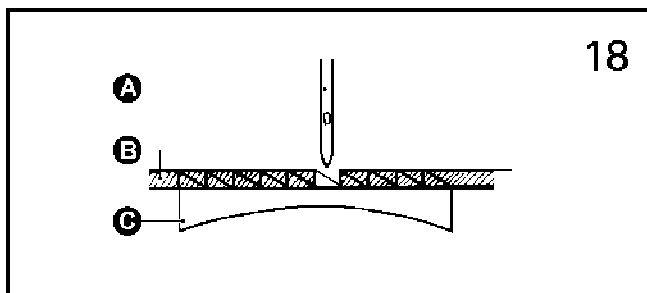
The stitch length can be adjusted by turning the dial (A). The figures on the face (B) of the dial show the stitch length in mm.

The reverse feeding starts when the reverse feed lever (C) is depressed, the machine will feed forward again if the reverse feed lever is released.



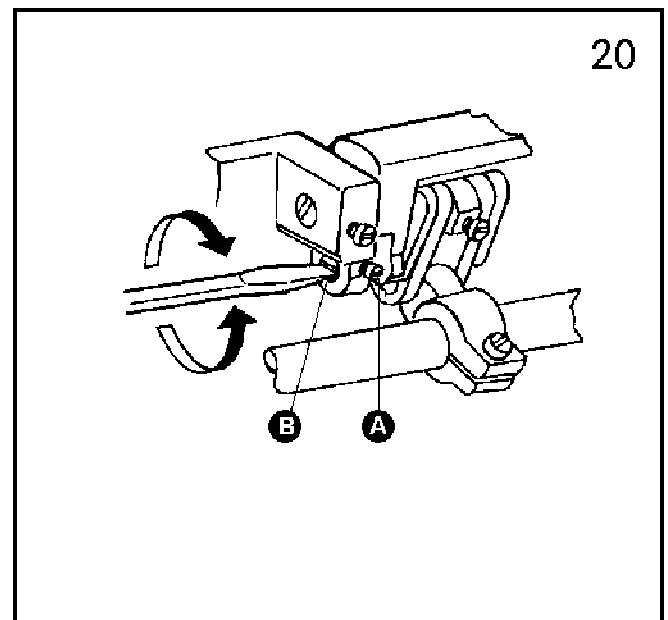
14. ADJUST THE SYNECHRONILATION OF THE NEEDLE MOTION WITH FEED MOTION (Fig. 18, 19)

To adjust the feed dog position (C), first should release the two set screw (F) and turn around the balance wheel by hand. When the needle (A) point reaches the surface of the throat plate (B), the top of the feed dog (C) should be flush with the throat plate surface.



15. STITCH LENGTH ERROR ADJUSTMENT (Fig. 20)

Loosen screw (A) to adjust the stitch length adjusting cam (B). Turn it rightward to narrow the stitch length as forward sewing, and widen it as reverse sewing; turn it leftward to widen the stitch length as forward sewing, and narrow it as reverse sewing.

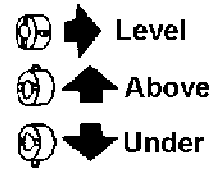


16. FEED DOG HORIZONTALITY ADJUSTMENT (Fig. 21)

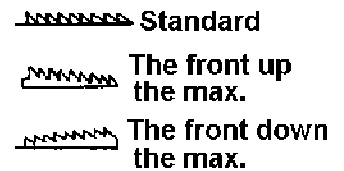
Heighten the front of feed dog to prevent fabric from wrinkling, lower the front of feed dog to prevent fabric from defection, breaking of hook thread.

21

Mark position on eccentric shaft



Feed dog

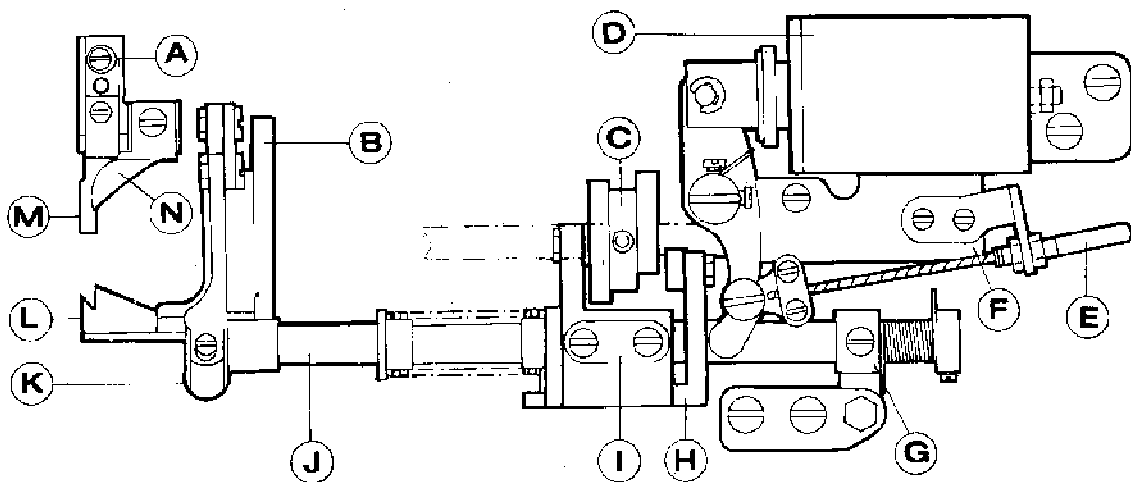


17. THREAD CUTTING MECHANISM (Fig. 22)

It adopts hook shaft cam driving for thread cutting. If thread cutting electromagnet works, and after finish thread trimming, reset thread cutting cam crank at once, otherwise may cause the movable knife and needle into collision, and damage them.

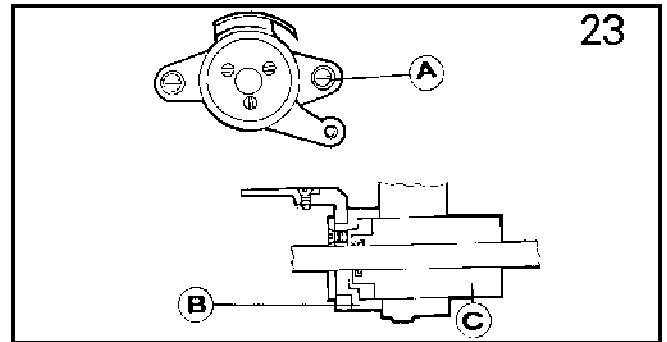
- A – fixed knife support asm.
- B – knife support asm. (left)
- C – thread cutting cam.
- D – thread cutting electromagnet.
- E – soft thread.
- F – electromagnet asm.
- G – stopper.
- H, I – thread cutting cam crank.
- J – cutter driving shaft.
- K – cutter driving crank.
- L – knife (left).
- M – fixed knife.
- N – thread retainer.

22



18. KNIFE SUPPORT ASM(left) (Fig. 23)

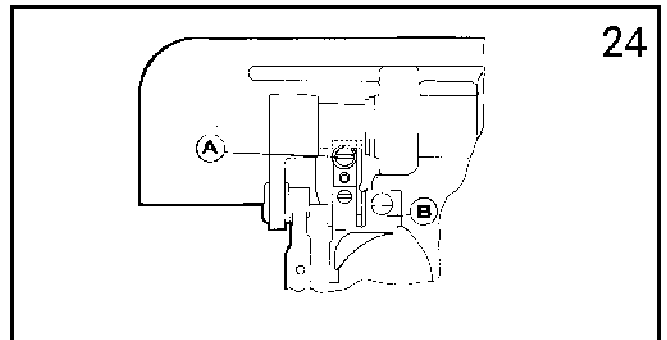
Insert the left knife support asm. (left) (B) into Hook Shaft Bushing (C) as the figure shows, then tighten screw (A).



19. FIXED KNIFE SUPPORT ASM (Fig. 24)

Remove the hook positioner, then set it with screw (A) shown in Fig 24.

B – fixed knife support asm.



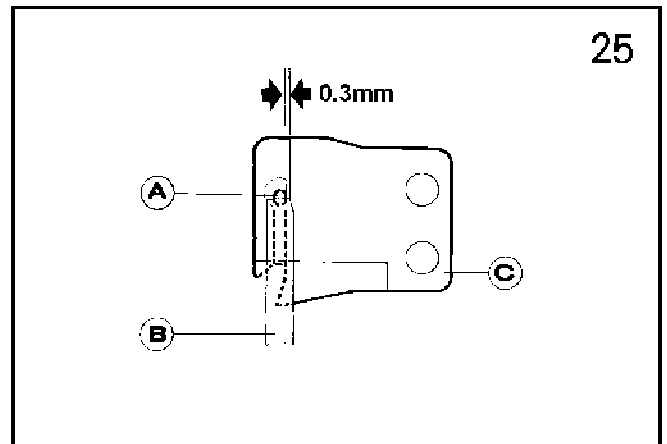
20. POSITION OF THE FIXED KNIFE AND LEFT KNIFE POINT(Fig. 25)

(1) The standard position is shown in the figure.

(2) If the size is larger than the standard, the knife will cut the 3 threads in the meantime or draw the thread out of the needle eye; if smaller, will cause cutting damage, so make sure to avoid that.

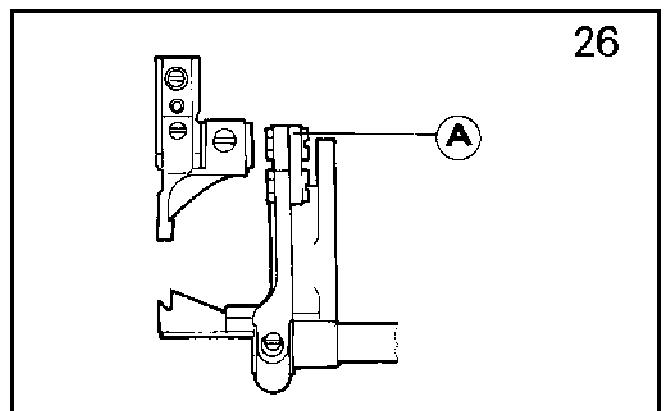
(3) As things mentioned above occur, adjustment is done by setting the fixed knife support or the fixed knife (B).

A – the blade C – the knife (left)



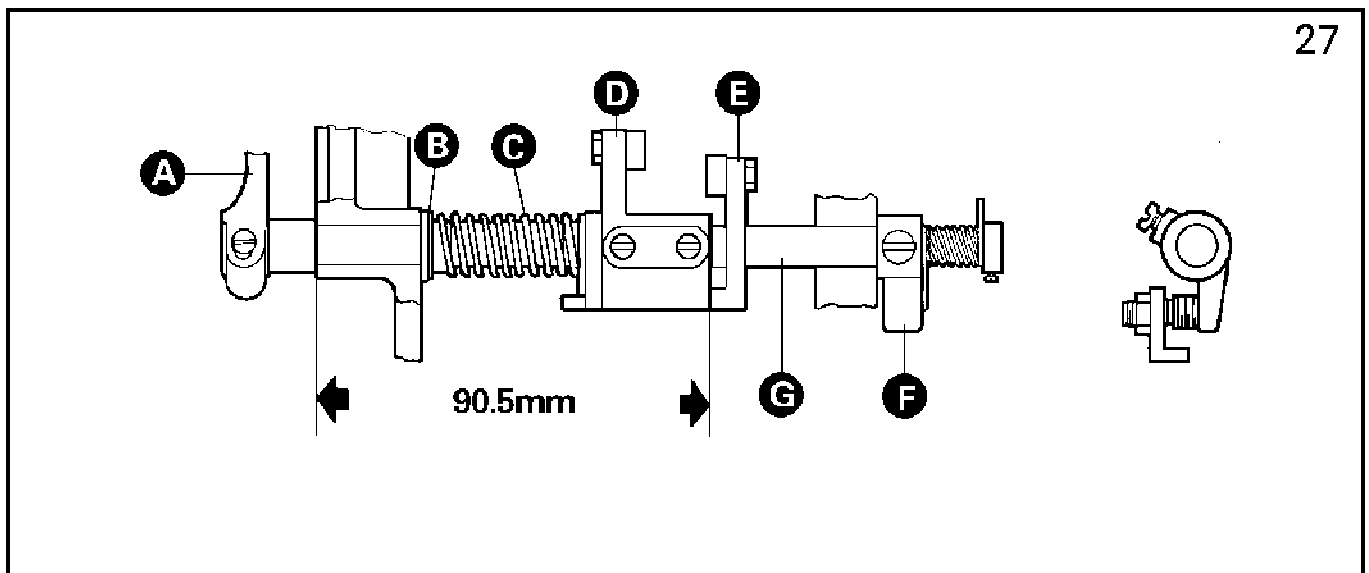
21. CONNECTION OF THE KNIFE (LEFT) SUPPORT AND CUTTER DRIVING CRANK(Fig. 26)

Connect them as the figure shows and notice the position of Cutter Link Lever (A).



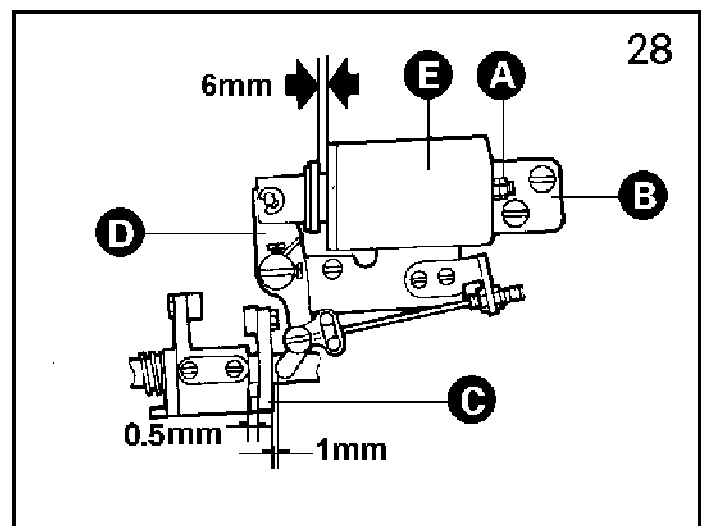
22. POSITION OF THE CUTTER DRIVING SHAFT (Fig. 27)

- (1) The Standard position is shown in the figure.
 - (2) When assemble it, Cutter Driving Shaft (G) should be first put in Cutter Driving Crank (A).
 - (3) Set Thread Cutting Cam Crank 1 (D) on the cutter driving shaft with reference to the standard position.
 - (4) Set Stopper (F), make sure that there is no clearance between parts around the cutter driving shaft, and rotate steadily.
- B – spring end cover
C – spring
E – thread cutting cam crank 2



23. THE ELECTROMAGNET CORE STROKE (Fig. 28)

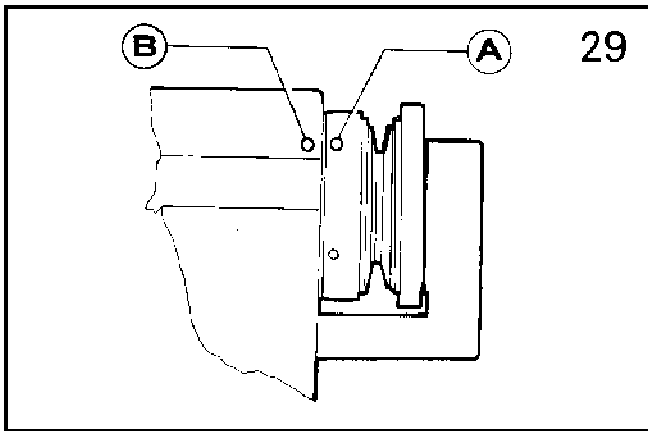
- (1) The standard stroke of the electromagnet core is 6mm.
 - (2) The stroke can be adjusted with Positioning screw (A)
- B – thread cutting electromagnet holder
C – thread cutting cam crank 2
D – driving bar
E – thread cutting electromagnet



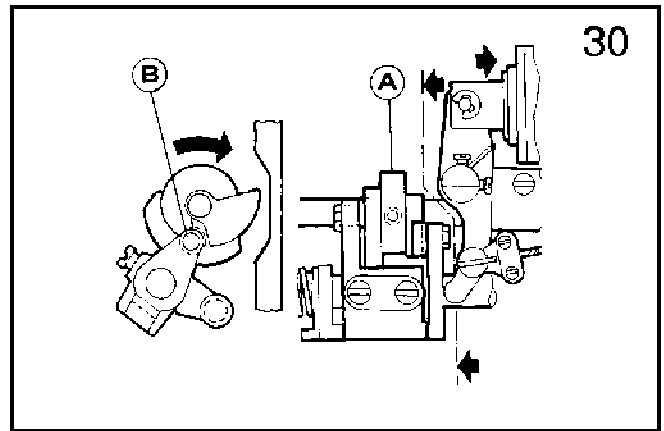
24. INSTALLING THE ELECTROMAGNET ASM (Fig. 28)

The installing parameter is shown in Fig. 28.

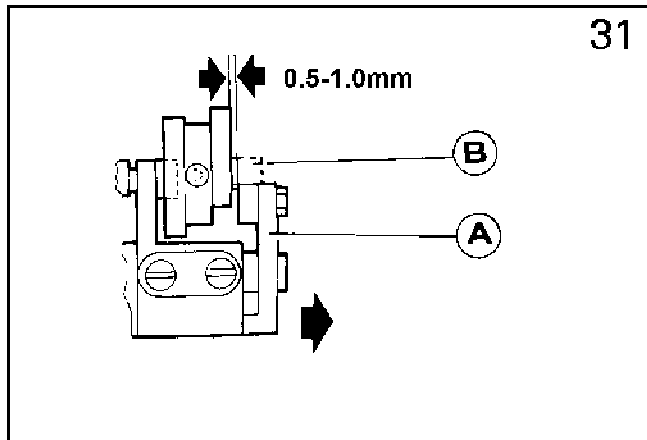
25. INSTALLING THREAD CUTTING CAM (Fig. 29. 30. 31. 32. 33)



(1) Align No. 2 Positioning Mark (A) on the balance wheel with Positioning Mark (B) on the machine arm.

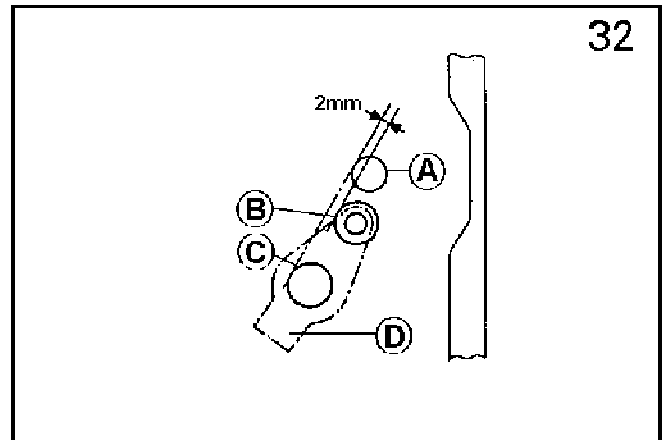


(2) As the thread cutting electromagnet works, Thread Cutting Cam (A) run in normal rotating direction. Fix the cam when Cam (A) is engaged with Roller (B).



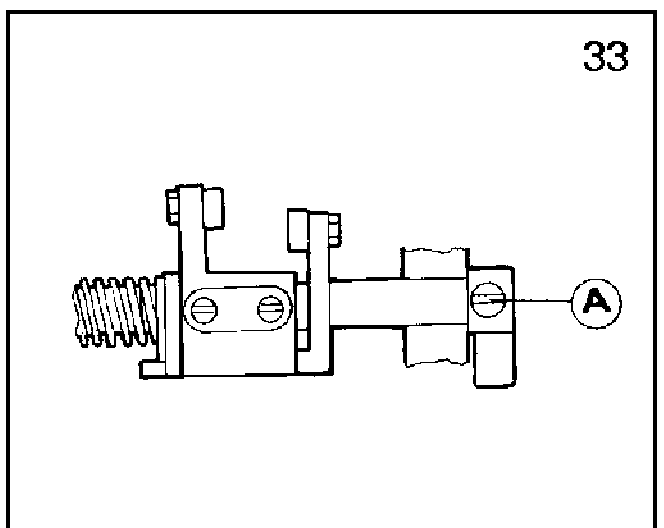
(3) Stop the operation of the electromagnet, reset Cam Driving Crank (A), Cam (B) is separated from the engagement with the roller, the standard clearance is 0.5 - 1.0mm.

It may change the positions mentioned above to remove the stopper, then adjust with Screw (A), and readjust the above (1) - (3)

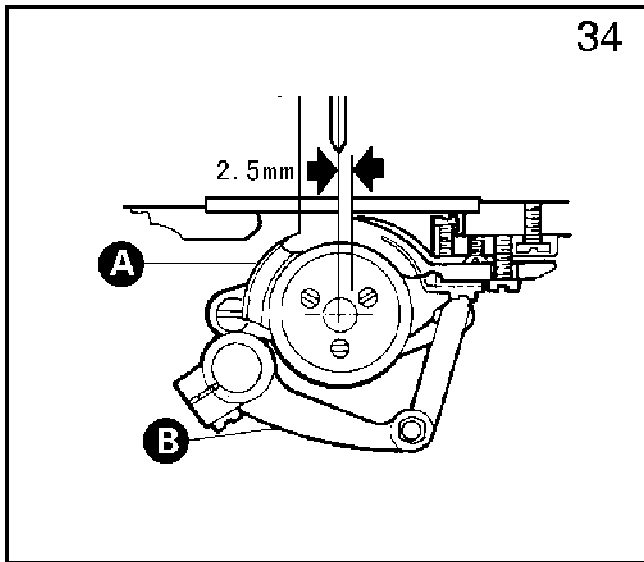


Note: the figure shows the standard position of Cam Driving Crank (D) before operation.

A - hook shaft B - roller C - cutter driving shaft

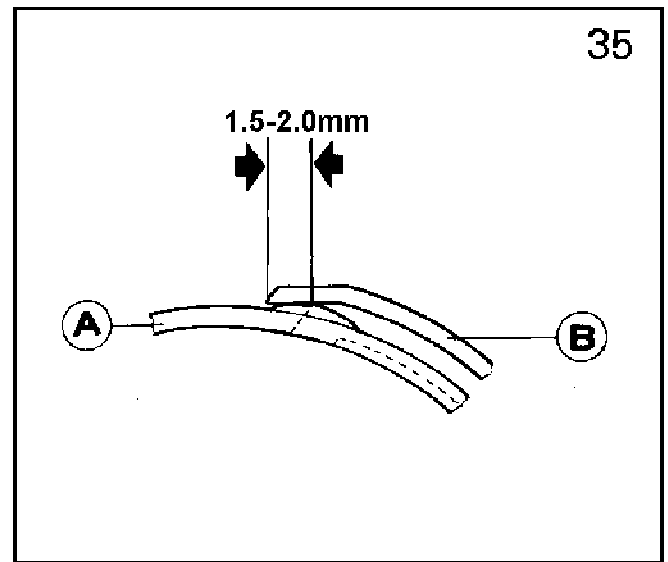


26. ADJUSTING KNIFE CUTTING ENGAGEMENT (Fig. 34. 35)



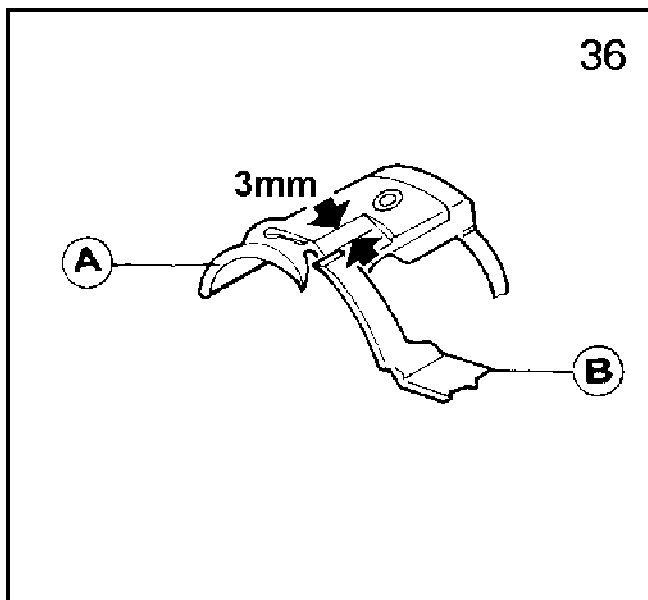
(1) The figure shows the standard positions of the left knife and the fixed knife.

A - knife (right) B -cutter driving shaft

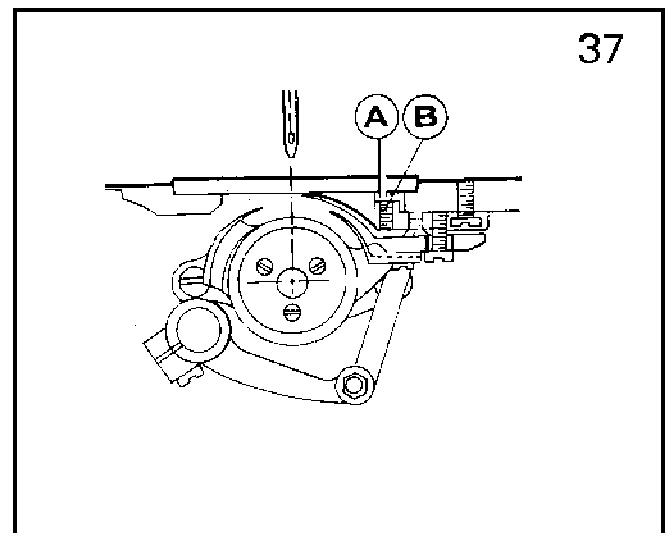


(2) Adjust the degree of knife cutting engagement: ① When the electromagnet works, turn the machine, the left knife (A) follows the motion of the thread cutting cam. The maximum degree of cutting engagement is 1.5 -2.0mm B -the fixed knife ② Adjust the cutter driving crank if necessary.

27. ADJUSTING CUTTING PRESSURE (Fig. 36. 37)



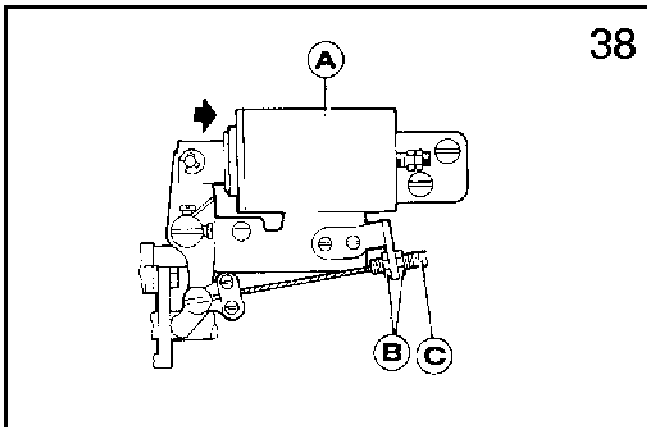
(1) The figure shows the standard position that Left Knift (A) begins to touch Fixed Knife (B).



(2) When cutting thick thread, increase the cutting force.

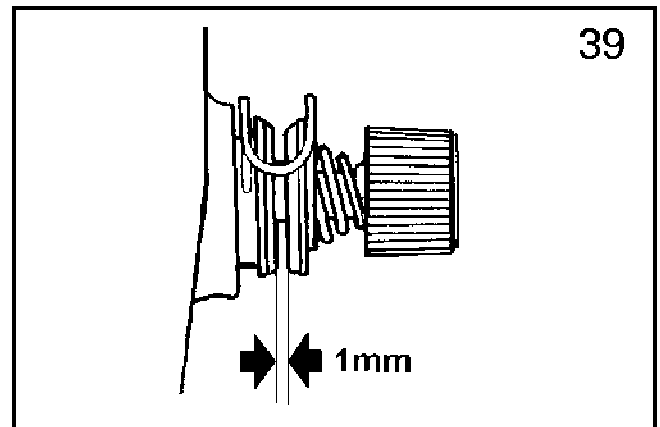
(3) For adjusting cutting force, loosen Set Nut (A), and adjust Screw (B).

28. ADJUSTING NEEDLE THREAD TENSION (Fig.38. 39)



There should be a clearance of 1mm between the two discs while the thread cutting electromagnet (A) is working.

For adjustment, loosen Nut (B), and move soft thread (C).



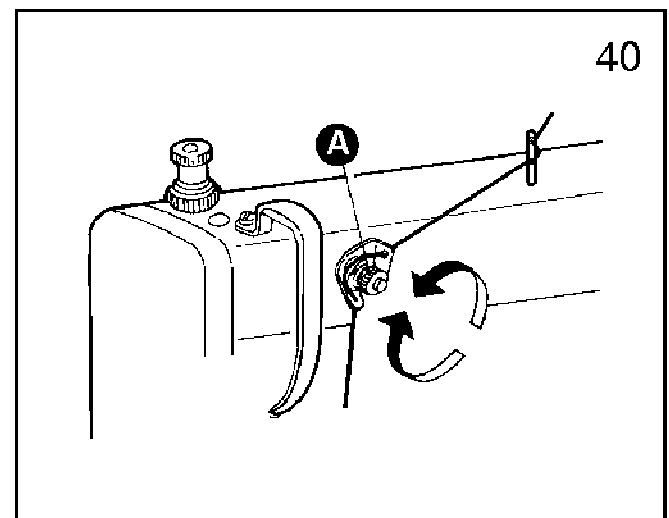
Note: If the clearance is too small, the thread end left after cutting is too short and may easily go away from the needle eye; otherwise the tension is poor and affect the needle thread tension.

29. THREAD END REMAINS ADJUSTMENT (Fig. 40)

To get the needle thread end remains properly, adjust Nut (A).

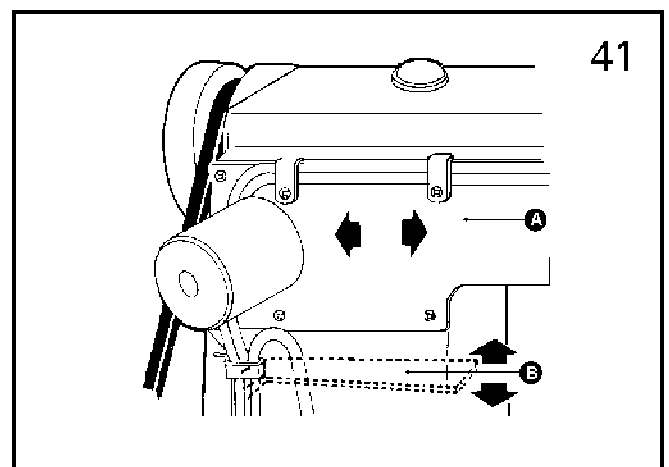
Turn rightward: get short

Turn leftward: get long



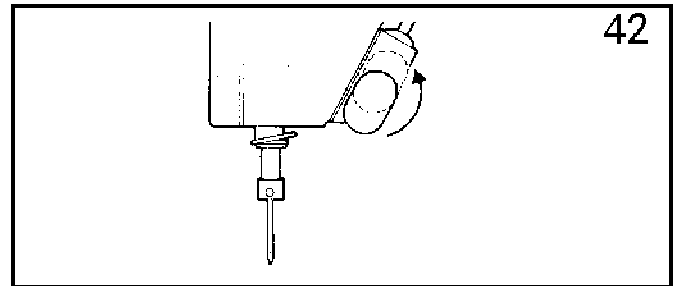
30. INSTALLING REVERSE STITCH ELECTROMAGNET (Fig. 41)

Adjust the position of Electromagnet (A) properly to guarantee the flexible connection of the magnet with the link lever and the convenient operation of Reverse Stitch Bar (B), then set with a screw.



31. REVERSE STITCH SWITCH (Fig. 42)

The figure shows the normal state. It can perform reverse sewing to switch on. If move the switch to the dotted line shown in the figure, and switch on, the reverse sewing can not be performed.

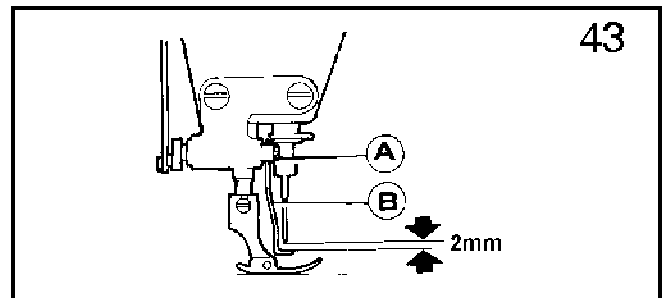


32. THREAD RETAINING DEVICE (Fig. 43. 44. 45)

1. Thread Retainer Height

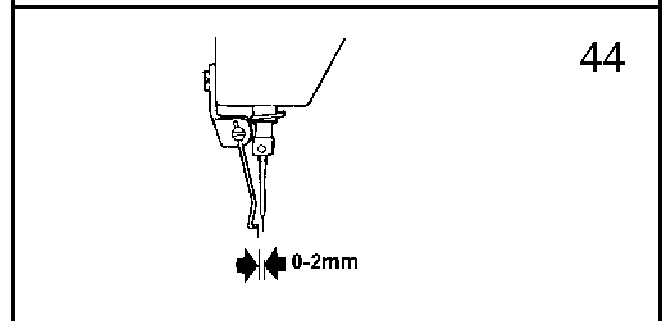
(1) Standard height: 2 mm from the needle point as the needle in its highest position.

(2) To adjust Thread Retainer (B), loosen Screw (A).



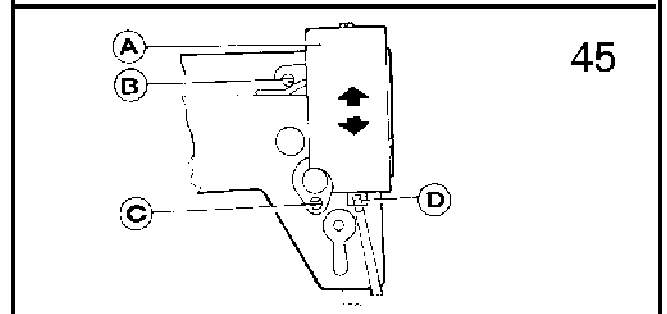
2. Thread Retainer Working position.

(1) When the magnet move into the electromagnet completely, the standard distance between the thread retainer and the center of the needle should be 0 - 2 mm.

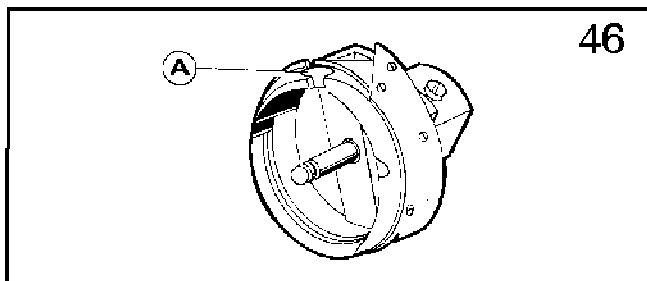


(2) To adjust its position, loosen Screw (C), Screw (B), and adjust the position of Electromagnet Asm (A).

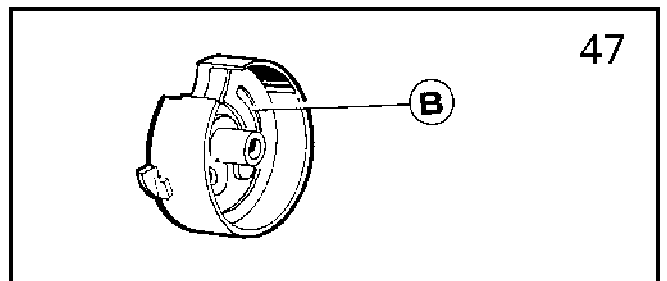
D - magnet



33. HOOK, BOBBIN CASE AND BOBBIN (Fig. 46. 47)



1. There is a thread groove (A) in the special hook for thread cutting sewing machine.



2. The bobbin case used in the machine should be with a spring (B) in its bottom, which prevents the bobbin from running without loading.

34. PERIODICAL CLEANING (Fig. 48. 49. 50)

1. Machine

- 1) remove the throat plate and clean the feed dog.
- 2) Assembling is to be made by screwing in the screw by 2 to 3 rotations by hand at first, then tightening them evenly by use of a long size screw driver.
- 3) Lay down the machine head and clean the hook and inner bobbin case and filter.

2. Maintenance of motor

Remove dust from the motor filter every one or two month. (If operation is continued with the filter clogged with lint or dust, the motor might overheat)

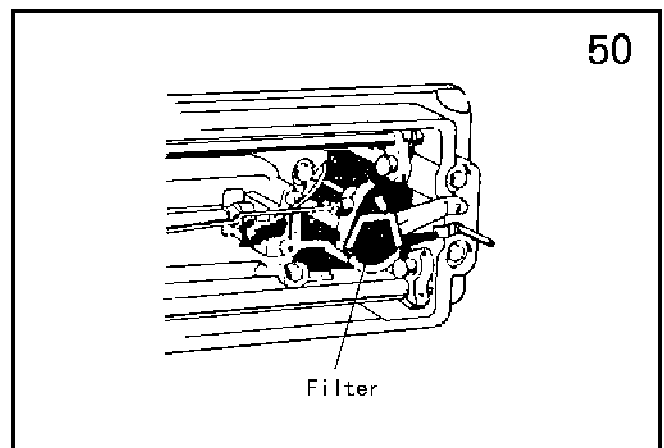
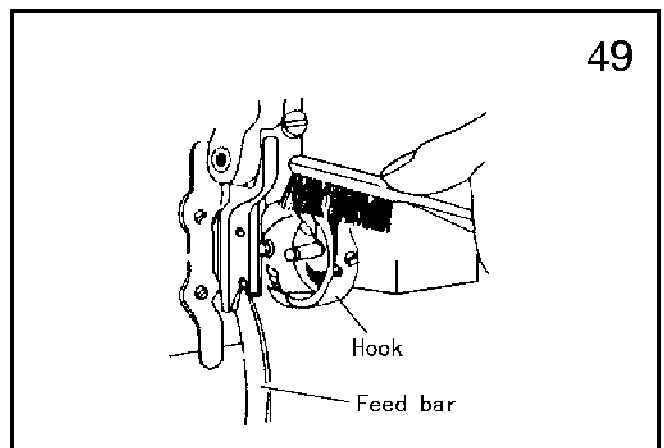
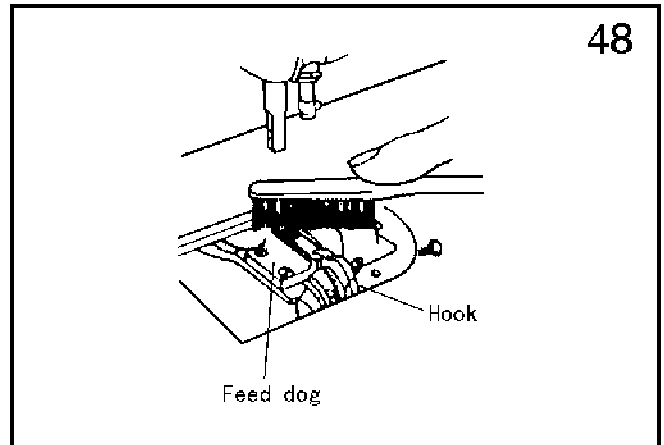
3. Control box Remove dust from the connector (if the connector covered with dust, machine might misoperated.)

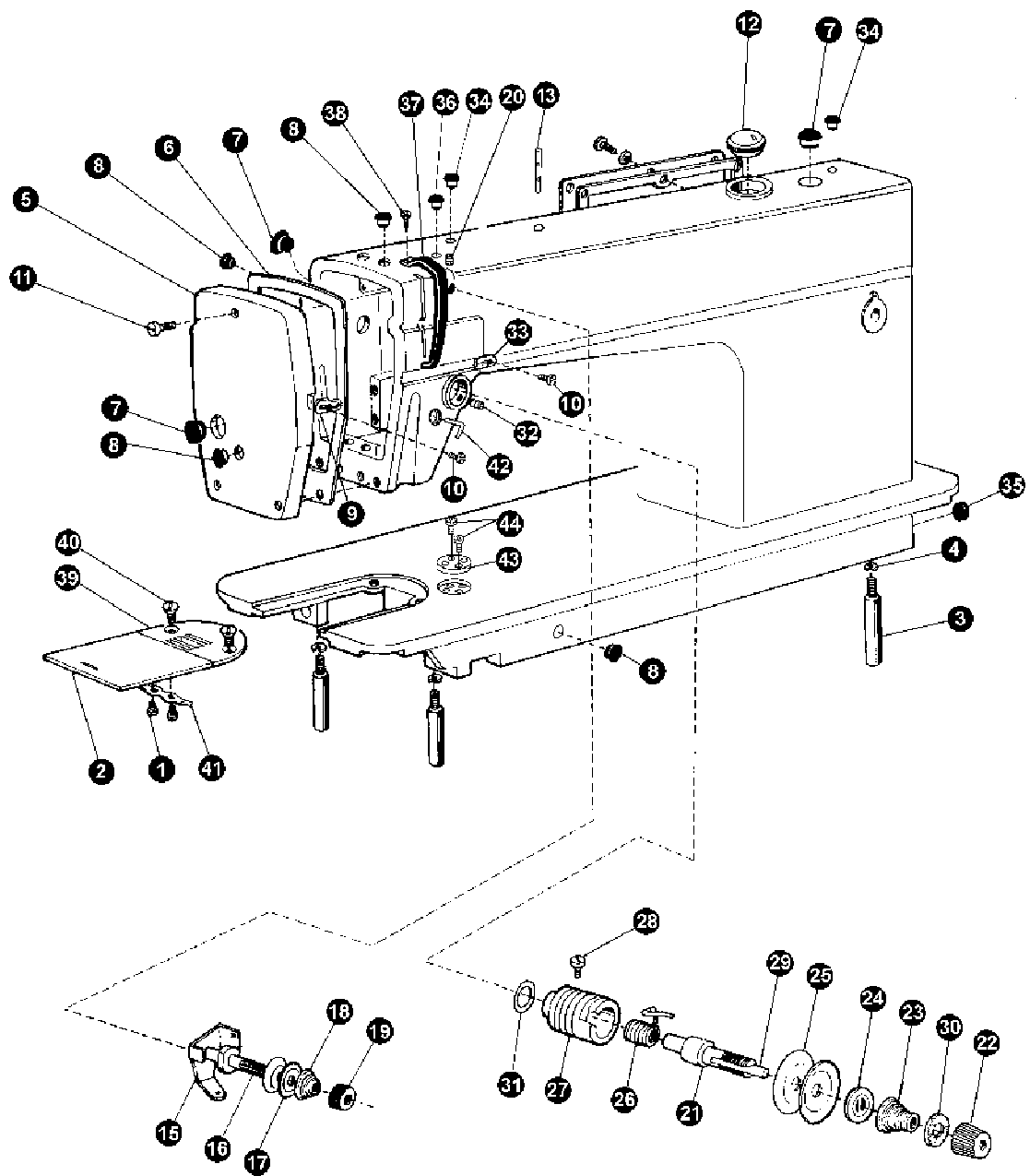
4. Precaution for position detector

- 1) A light type detection element is used in the detector. Thus, take care not to adhere dust or oil on the detector plate when the sewing machine pulley is removed for adjustments, etc. If dust or oil dose adhere, wipe off with a soft cloth while taking care not to scratch the detector plate. Do not allow oil to seep into the clearances of the detector plate.

- 2) If the position detector connector has been disconnected, the belt had been removed, or the machine had locked completely, the motor is automatically switched off in a predetermined period of time to prevent the motor from burning. (The motor may not be switched off if incomplete lock – up or overload had occurred.)

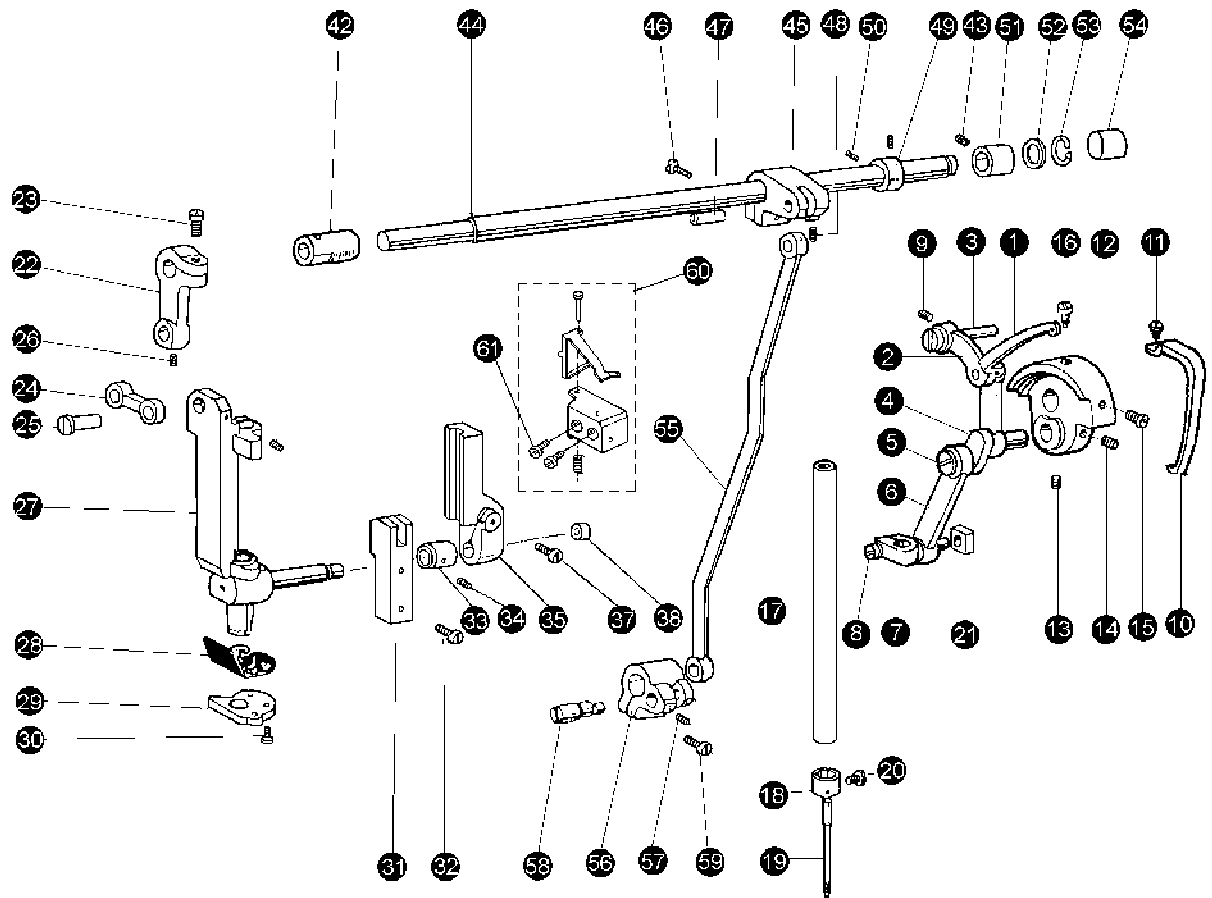
The operation is restored to normal by switching the power off, and then on after the fault has been repaired. The above also takes place when the detector has become faulty or any wire has been broken.





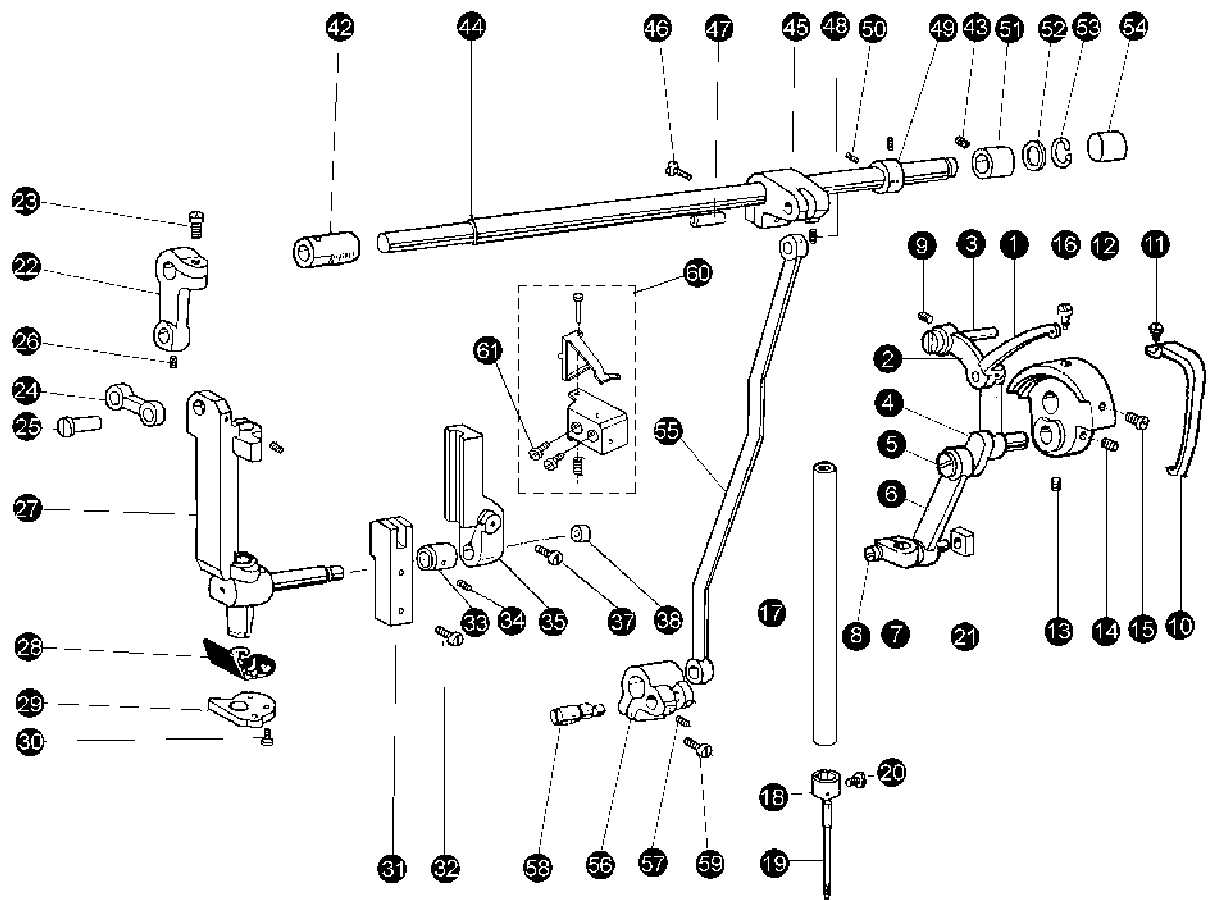
1. ARM BED AND ITS ACCESSORIES

No.	Ref.No.	Description	Qt.	
			M	H
1	22T1-021G3	Screw	2	2
2	22T1 -021G1	Slide plate	1	1
3	48T1-005	Leg	3	3
4	GB93-87-6	Spring washer 6	3	3
5	027100002	Face plate	1	1
6	027100003	Face plate gasket	1	1
7	22T1-003C3	Rubber	3	3
8	22T1-003C4	Rubber	3	3
9	22T1-003C5	Thread guide on face plate	1	1
10	22T1-003C6	Screw	2	2
11	22T1-004	Screw	3	3
12	22T1-008H	Oil check window	1	1
13	108200009	Thread guide pole	1	1
15	36T2-006D1	Pretension thread guide	1	1
16	36T2-006D2	Thread tension stud	1	1
17	22T1-009E3	Thread tension disc	2	2
18	36T2-006D3	Tension spring for pretension	1	1
19	36T2-006D4	Thread tension nut	1	1
20	124T1-006	Set screw	1	1
21	22T1-012F1	Thread tension stud	1	1
22	124T1-003C1	Thread tension nut	1	1
23	027102001	Thread tension spring	1	
	48T1-003A1	Thread tension spring		1
24	22T1-012F4	Thread tension releasing disc	1	1
25	22T1-012F5	Thread tension disc	2	2
26	22T1-012F6	Thread take-up spring	1	
	48T1-003A2	Thread take-up spring		1
27	22T1-012F7	Thread tension regulator bushing	1	1
28	22T1-012F8	Screw	1	1
29	22T1-012F9	Thread tension releasing pin	1	1
30	22T1-012F10	Stop disc	1	1
31	22T1-012F11	O-type ring	1	1
32	22T1-013	Set screw	1	1
33	22T1-014	Thread guide	1	1
34	22T1-015	Rubber	2	2
35	22T1-016	Rubber	1	1
36	22T1-017	Rubber	1	1
37	36T2-007	Thread take-up lever guard	1	1
38	22T2-004	Screw	1	1
39	027100004	Needle plate	1	
	027100104	Needle plate		1
40	22T1-020	Screw	2	2
41	22T1-021G2	Slide plate spring	1	1
42	27100005	Thread guide	1	1
43	57T1-008	Ruler plate	1	1
44	124T1-004	Screw	2	2



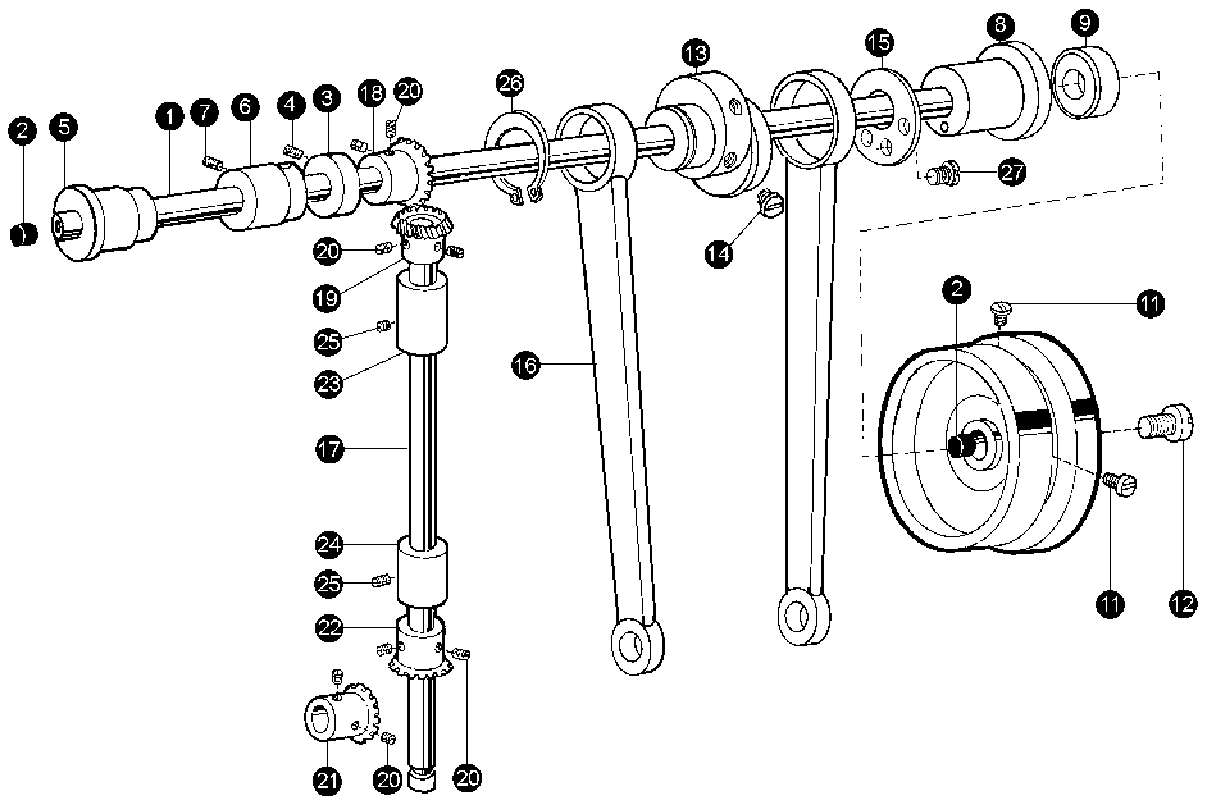
2. NEEDLE MECH ANISM

No.	Ref. No.	Description	Qt.	
			M	H
1	22T2-001A1a	Thread take-up lever	1	
	48T2-001A1a	Thread take-up lever		1
2	22T2-001A2	Thread take-up link	1	1
3	22T2-001A3	Thread take-up lever hinge pin	1	1
4	22T2-001A4	Thread take-up crank	1	
	78T2-001A2	Thread take-up crank		1
5	22T2-001A5	Needle roller bearing	2	2
	22T2-001A6	Set screw(left hand thread)	1	1
6	22T2-001A7b	Needle bar link ass	1	
	48T2-001A2	Needle bar link		1
7	22T2-001A8	Needle bar connecting bar joint	1	1
8	22T2-001A9	Screw	1	1
9	22T1-006	Screw	1	1
10	36T2-007	Take-up lever guard	1	1
11	22T2-004	Screw	1	1
12	22T2-005B1	Needle bar crank	1	
	048220001	Needle bar crank		1
13	22T2-005B2	Screw	1	1
14	22T2-005B3	Thread take-up crank position screw	1	1
15	22T2-006	Screw	1	1
16	22T2-007	Thread take-up crank position screw	1	1
17	153200001	Needle bar	1	1
18	22T2-015	Thread guide for needle bar	1	1
19	DPx5	Needle 14#	1	
	DPx5	Needle 22#		1
20	22T2-017	Needle clamp screw	1	1
21	22T2-020	Slide block	1	
	027200104	Slide block		1
22	027200001	Needle bar vibrating lever	1	1
23	22T6-016	Screw	1	1
24	027200002	Needle bar vibrating connecting lever	1	1
25	027200003	Pin	2	2
26	22T1-011	Screw	1	1
27	027201000	Needle bar holder assembly	1	
	027201100	Needle bar holder assembly		1
28	027200004	Oil guard felt	1	1
29	027200005	Set plate	1	1
30	165330001	Screw	3	3



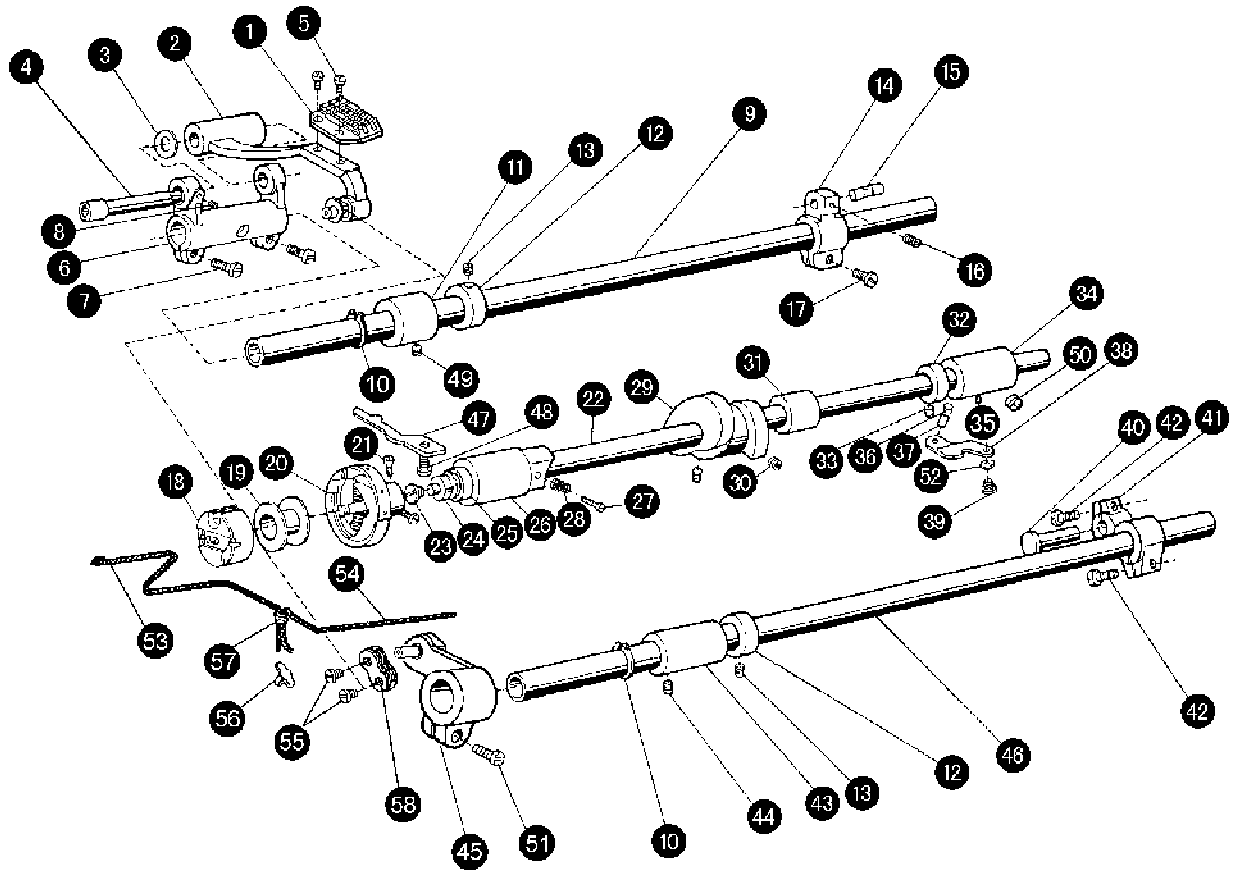
2. NEEDLE MECH ANISM

No.	Ref. No.	Description	Qt.	
			M	H
31	027200006	Needle bar holder guide	1	1
32	22T2-019	Screw	1	1
33	027200007	Bushing	1	1
34	22T1-011	Screw	1	1
35	027200008	Needle bar sliding block guide	1	1
37	22T6-016	Screw	1	1
38	027200009	Needle roller bearing	1	1
42	027200011	Vibrating shaft bushing(left)	1	1
43	22T1-011	Screw	1	1
44	027200012	Vibrating shaft	1	1
45	027200013	Vibrating shaft crank	1	1
46	22T6-001A1b	Screw	1	1
47	027200014	Pin	1	1
48	22T1-011	Screw	1	1
49	027200015	Collar	1	1
50	22T3-002B2	Screw	2	2
51	027200016	Vibrating shaft bushing(right)	1	1
52	027200017	Washer	1	1
53	GB8894. 2-86	Vibrating shaft stop ring	1	1
54	027200018	Rubber	1	1
55	027200019	Feed link(long)	1	1
56	027200020	Feed crank	1	1
57	22T6-016	Screw	1	1
58	027200021	Eccentric shaft	1	1
59	22T1-011	Screw	1	1
60	027A02000	Releasing hinge asm.	1	1
61	22T6-008D3	Screw	2	2



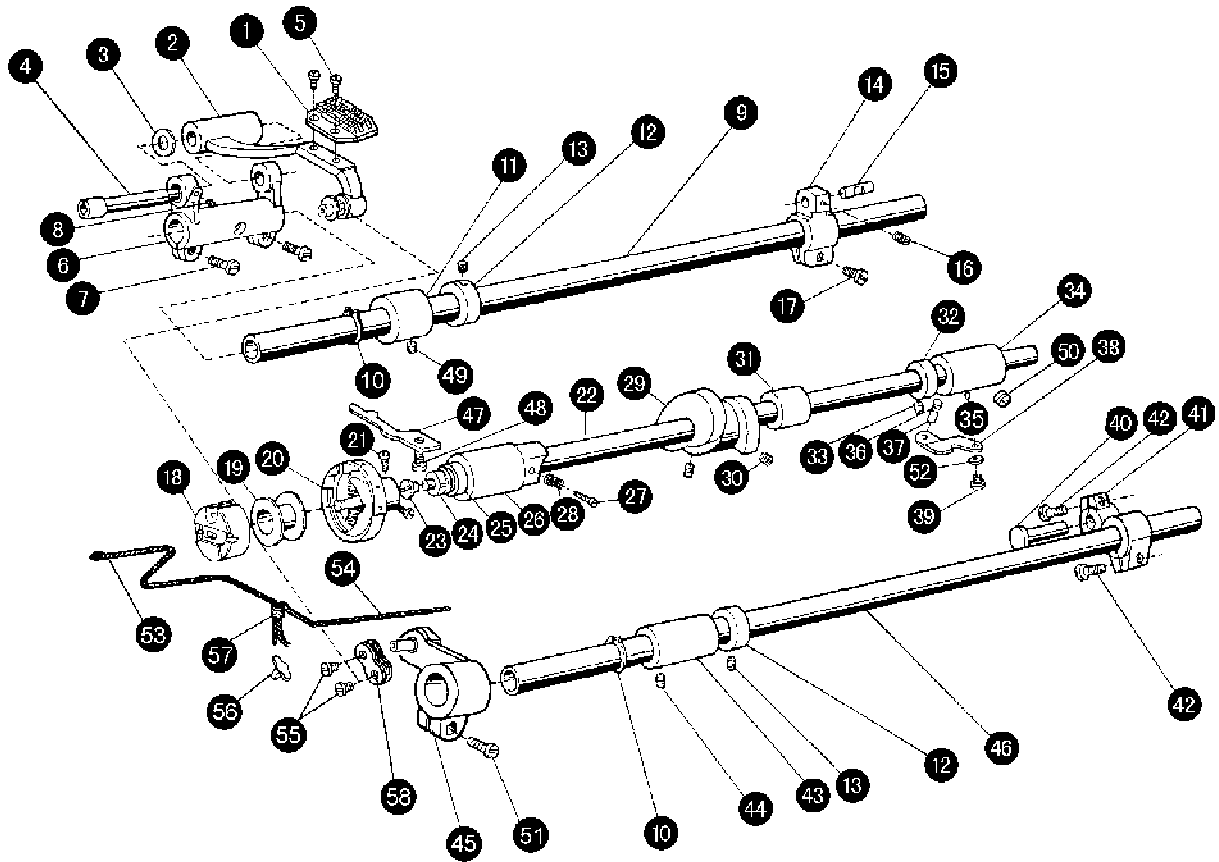
3. ARM SHAFT AND VERTICAL SHAFT MECHANISM

No.	Ref. No.	Description	Qt.	
			M	H
1	153310001	Arm shaft	1	1
2	22T3-001A2	Arm shaft rubber plug	2	2
3	22T3-002B1	Collar for arm shaft	1	1
4	22T2-005B3	Set screw	2	2
5	22T2-003	Arm shaft bushing(left)	1	1
6	22T3-004	Arm shaft bushing(middle)	1	1
7	22T2-002	Set screw	1	1
8	124T3-003C1	Arm shaft bushing(right)	1	1
9	124T3-003C2	Oil seal	1	1
11	22T3-007C2	Set screw	2	2
12	22T3-008	Set screw	1	1
13	027300001	Eccentric wheel	1	1
14	58T5-012F2	Eccentric wheel screw	2	2
15	36T3-004	Spacer	1	1
16	22T3-009D1c	Crank rod for lifting rock shaft	1	1
17	22T3-010E1	Vertical shaft	1	1
18	22T3-010E2a1-2	Bever gear for arm shaft	1	1
19	22T3-010E2a2-2	Bever gear for vertical shaft(upper)	1	1
20	22T2-005B3	Set screw	8	8
21	22T3-010E2b1-2	Bever gear for hook shaft	1	1
22	22T3-010E2b2-2	Bever gear for vertical shaft(lower)	1	1
23	22T3-011	Vertical shaft bushing(upper)	1	1
24	22T3-012	Vertical shaft bushing(lower)	1	1
25	22T2-002	Set screw	2	2
26	22T3-009D1b	Stop ring	1	1
27	165330001	Screw	3	3



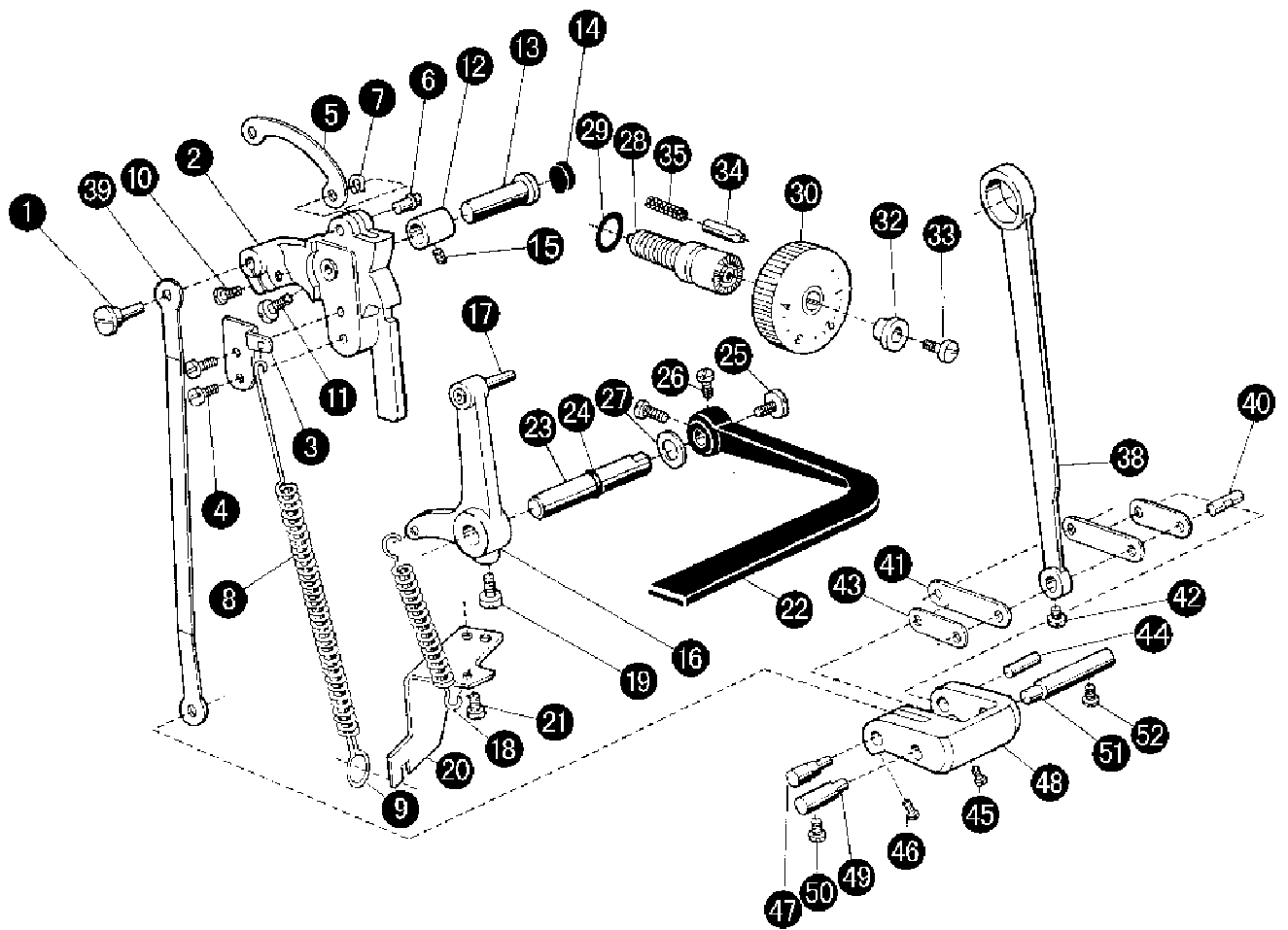
4. FEEDING AND FEED LIFTING AND ROTATING HOOK MECHANISM

No.	Ref. No.	Description	Qt.	
			M	H
1	027600001	Feed dog	1	
	027600101	Feed dog		1
2	027601000	Feed bar	1	1
3	22T6-001A6	Washer	1	1
4	36T4-001A2	Shaft for feed bar	1	1
5	22T6-001A4	Screw	2	2
6	22T6-001A1a	Feed rock shaft crank	1	1
7	22T6-001A1b	Screw	2	2
8	22T2-019	Screw	1	1
9	124T6-002	Feed rock shaft	1	1
10	GB894-86-15	C-type stop ring	2	2
11	22T6-004	Bushing for feed rock shaft	1	1
12	22T6-005B1	Collar for feed rock shaft	2	2
13	22T3-002B2	Screw	4	4
14	36T4-003	Feed rock shaft crank(right)	1	1
15	36T4-004H01	Pin	1	1
16	36T5-008E5	Screw	1	1
17	22T6-008D3	Screw	1	1
18	36T4-005B	Bobbin case complete	1	1
19	36T4-006	Bobbin	1	
	48T4-003	Bobbin		1
20	36T4-007C	Rotating hook complete	1	
	048400101	Rotating hook complete		1
22	36T4-008D1	Hook shaft	1	1
23	22T4-001A1a1	Filter screw	1	1
24	22T4-001A1a2	Filter	1	1
25	36T4-009G	Oil seal	1	1
26	36T4-010	Hook shaft bushing(left)	1	1
27	22T4-005	Oil adjusting screw	1	1
28	22T4-006	Coil spring	1	1



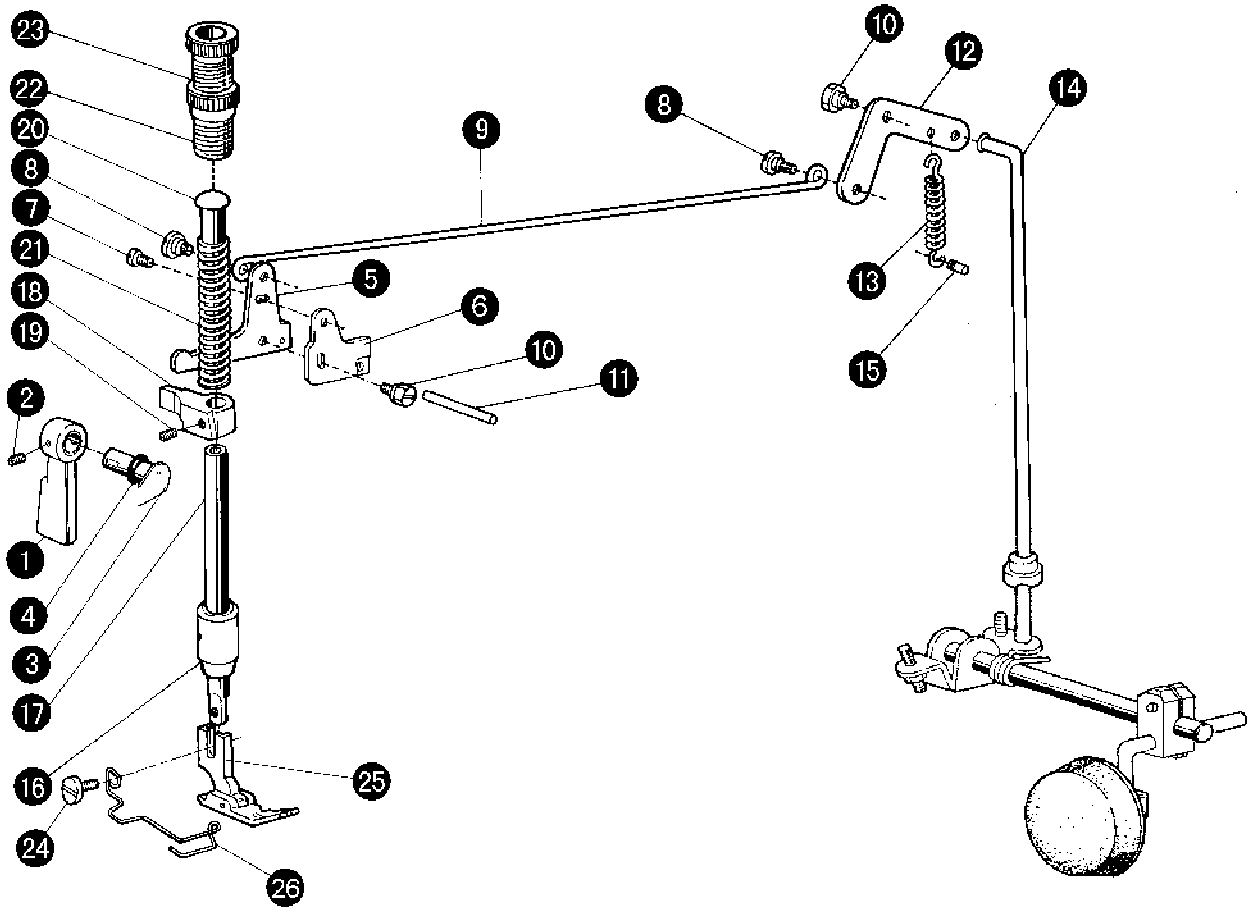
4. FEEDING AND FEED LIFTING AND ROTATING HOOK MECHANISM

No.	Ref.No.	Description	Qt.	
			M	H
29	36T4-011E1	Thread cutting cam	1	1
30	36T4-011E2	Screw	2	2
31	36T4-012	Hook shaft bushing(middle)	1	1
32	22T4-002B1	Collar for hook shaft	1	1
33	22T2-009	Screw	2	2
34	36T4-014F1	Hook shaft bushing(right)	1	1
35	22T4-007C2	Oil pipe for hook shaft bushing	1	1
36	36T4-015	Plunger	1	1
37	36T4-016	Plunger spring	1	1
38	22T4-010	Guide plate	1	1
39	22T5-001A4	Screw	1	1
40	22T6-007	Hinge pin	1	1
41	36T4-017	Feed lifting rock shaft crank(right)	1	1
42	22T6-016	Screw	2	2
43	22T6-012	Bushing for feed lifting shaft(left)	1	1
44	22T2-002	Screw	1	1
45	22T6-008D	Feed lifting fork	1	1
46	124T6-003	Feed lifting rock shaft	1	1
47	22T4-013	Hook positioner	1	
	48T4-002	Hook positioner		1
48	22T4-015	Screw	1	1
49	22T2-009	Screw	1	1
50	22T2-002	Screw	1	1
51	22T6-008D3	Screw	1	1
52	GB93-87	Washer	1	1
53	22T6-001A7	Wick	1	1
54	22T6-009F3	Wick	1	1
55	22T6-010	Screw	1	1
56	22T6-009F2	Wick clamp	1	1
57	22T6-015	Wick clamp	1	1
58	22T6-009F1	Feed dog link	1	1



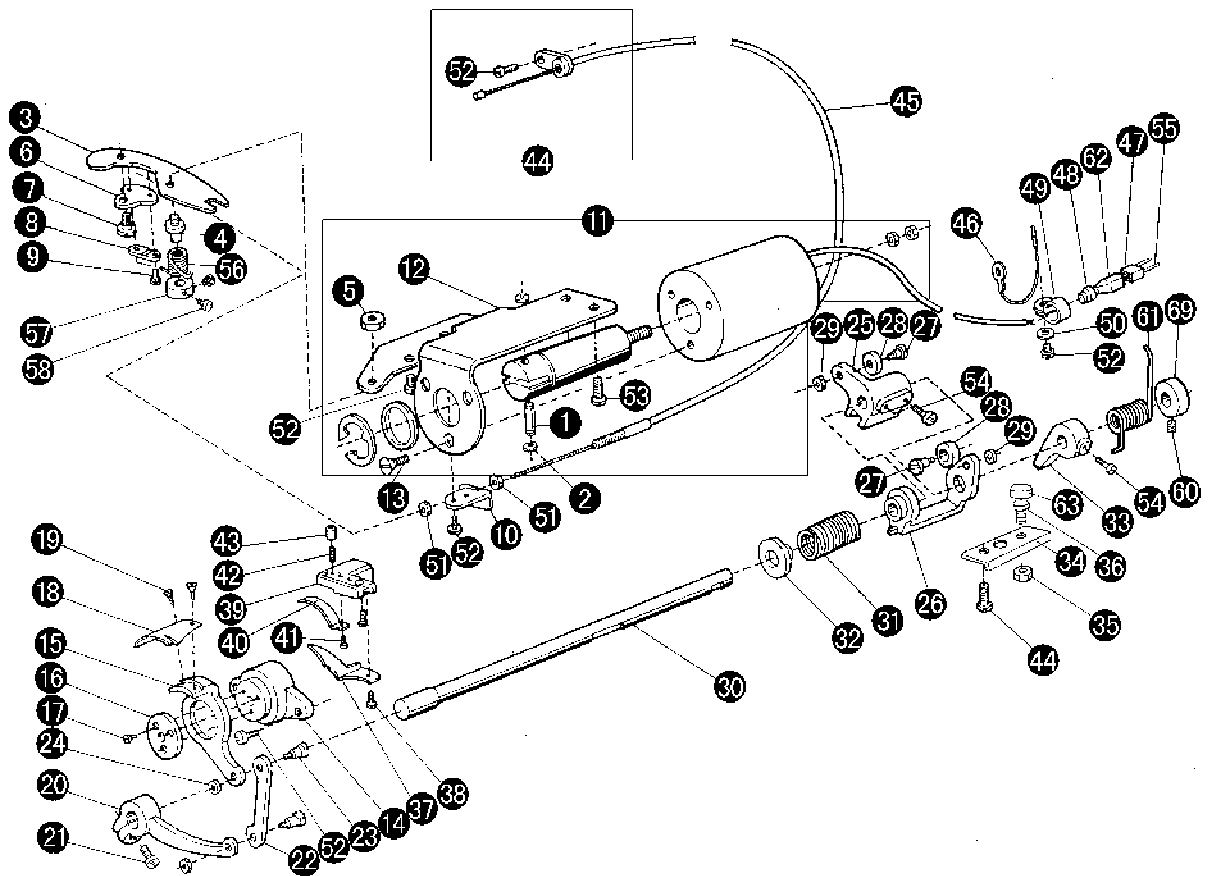
5. STITCH LENGTH REGULATING MECHANISM

No.	Ref. No.	Description	Qt.	
			M	H
1	36T5-001	Set pin	1	1
2	36T5-002A1	Feed regulator	1	1
3	36T5-002A2	Spring retainer	1	1
4	22T2-019	Screw	2	2
5	36T5-002A3	Link	1	1
6	36T5-002A4	Pin	1	1
7	GB896-85	Split	1	1
8	36T5-002A5	Coil spring	1	1
9	36T5-002A6	Spring holder	1	1
10	22T6-008D3	Screw	1	1
11	22T5-010D4	Screw	1	1
12	22T5-003	Bushing for feed regulator	1	1
13	22T5-004	Pin shaft	1	1
14	36T5-003	Rubber	1	1
15	22T2-002	Set screw	1	1
16	36T5-004B1	Reverse sewing crank	1	1
17	36T5-004B2	Reverse sewing crank shaft	1	1
18	36T5-004B3	Coil spring	1	1
19	22T5-013	Screw	1	1
20	36T5-005	Spring holder	1	1
21	22T5-001A4	Screw	1	1
22	124500004	Reverse sewing lever	1	1
23	36T5-006C1a1	Shaft for reverse sewing lever	1	1
24	GB3452.1-92	O-type ring	1	1
25	22T5-010D3	Screw	1	1
26	22T5-010D4	Screw	2	2
27	22T5-011	Washer	1	1
28	124T5-001A2	Screw bar	1	1
29	124T5-001A3	O-type rubber ring	1	1
30	124T5-002B1	Dial	1	
	124T5-001A1	Dial		1
32	36T5-007D4	Bushing	1	1
33	36T5-007D5	Screw	1	1
34	36T5-012	Thrust pin	1	1
35	22T5-009	Coil spring	1	1
38	36T5-008E2	Feed link	1	1
39	36T5-008E3	Stitch length regulating link	1	1
40	36T4-004H02	Pin(long)	1	1
41	36T5-008E4H02	Link(long)	2	2
42	36T5-008E5	Screw	1	1
43	36T5-008E4H01	Link(short)	2	2
44	36T5-008E6	Pin(short)	1	1
45	36T5-008E7	Screw	1	1
46	36T5-008E8	Screw	1	1
47	36T5-008E9	Eccentric shaft	1	1
48	36T5-008E10	Stitch length adjusting crank	1	1
49	36T5-009H02	Set pin (left)	1	1
50	22T6-008D3	Screw	1	1
51	36T5-009H01	Set pin (right)	1	1
52	22T6-008D3	Screw	1	1



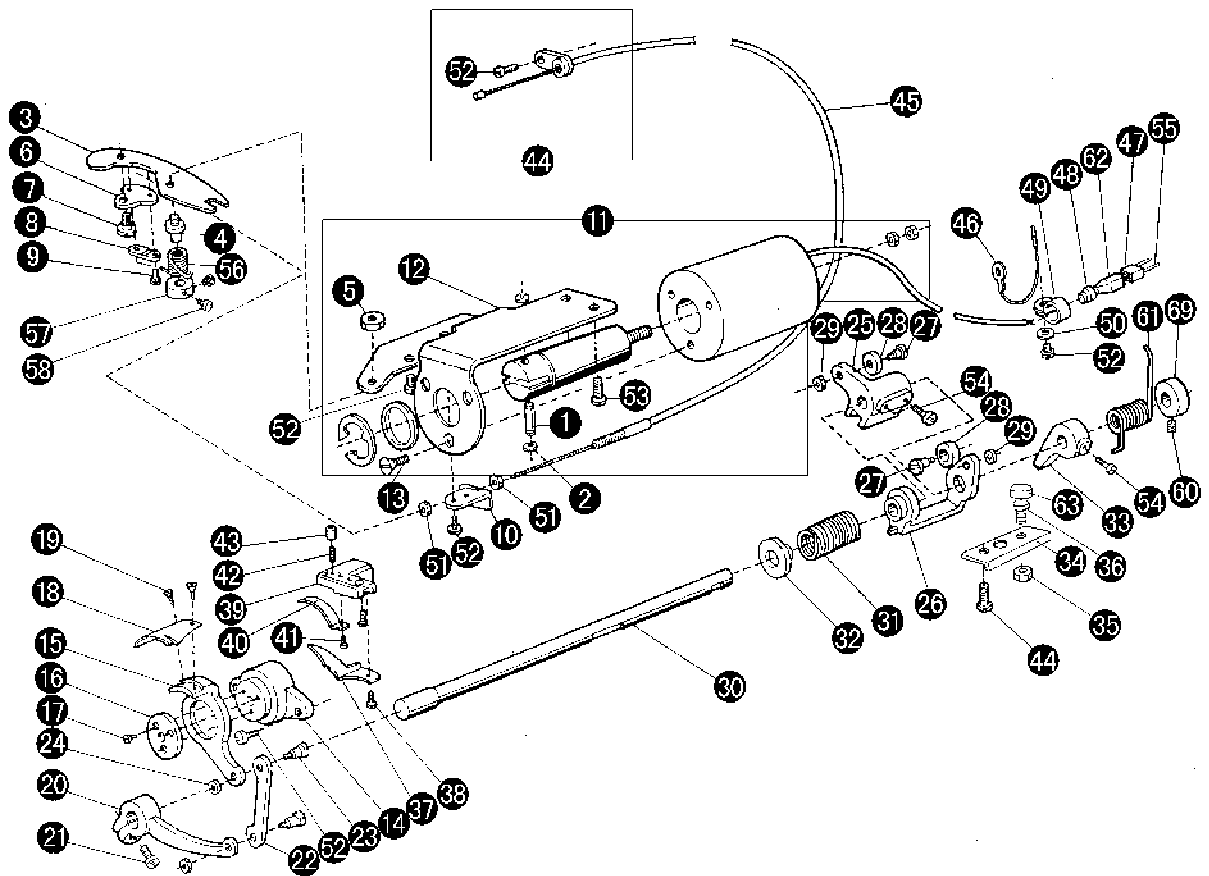
6. PRESSER FOOT MECHANISM

No.	Ref. No.	Description	Qt.	
			M	H
1	36T6-001A1	Presser bar lifter	1	1
2	22T2-009	Screw	1	1
3	36T6-002B1	Presser bar lifting cam	1	1
4	GB3452.1-92	Oil	1	1
5	36T6-003C1a1	Knee lifter lever (left)	1	1
6	22T7-004B1b	Tension relasing cam	1	1
7	22T7-004B1c	Screw	1	1
8	22T7-004B2	Screw	2	2
9	22T7-004B3	Knee lifter rod	1	1
10	22T7-005	Screw	1	1
27	22T7-007C4	Screw	1	1
11	36T6-004	Thread releasing pin	1	1
12	22T7-007C1	Knee lifter lever (right)	1	1
13	22T7-007C2	Coil spring	1	1
14	22T7-007C3	Knee lifter connecting rod	1	1
15	22T7-008	Pin for spring	1	1
16	22T7-009	Bushing for presser bar	1	1
17	22T7-010	Presser bar	1	1
18	22T7-011D1	Presser bar guide bracket	1	1
19	22T1-013	Screw	1	1
20	22T7-012	Presser bar spring guide	1	1
21	48T7-002	Presser bar spring	1	1
22	22T7-014E1	Thumb screw	1	1
23	22T7-014E2	Lock nut	1	1
24	22T7-015	Screw	1	1
25	027701000	Presser foot asm	1	
	027C01000	Presser foot asm		1
26	57T7-002	Presser foot spring	1	1



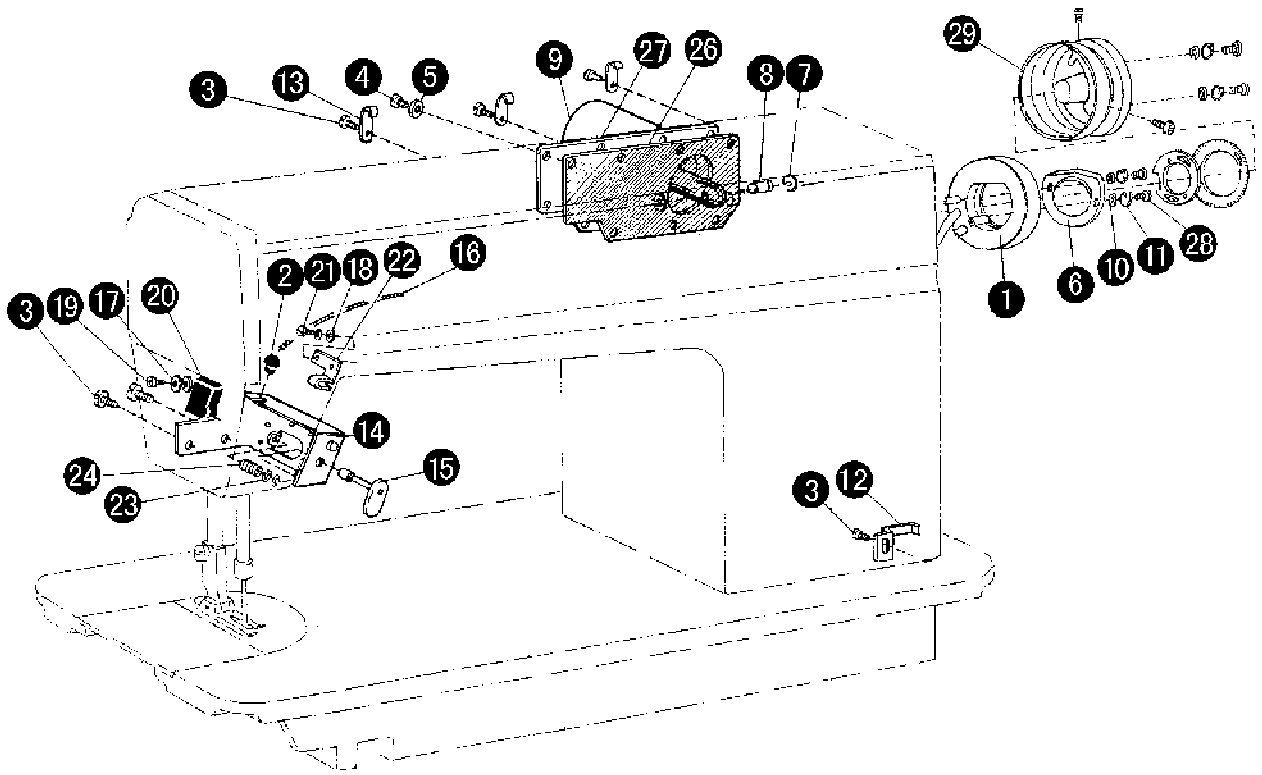
7. KNIFE ACTUATING MECHANISM

No.	Ref. No.	Description	Qt.	
			M	H
1	36T8-009	Pin	1	1
2	GB896-85-4	Split retaining ring	2	2
3	36T7-001A1	Flexible driving lever	1	1
4	36T7-001A2	Screw	1	1
5	J0. 0. 16	Nut	1	1
6	36T7-001A3	Bracket for flexible bracket	1	1
7	36T7-001A4	Screw	1	1
8	36T7-001A5	Flexible wire connecting bracket	1	1
9	36T7-001A6	Screw	2	2
10	36T7-001A7	Holder for flexible wire	1	1
11	165710000	Solenoid assy for thread trimmer	1	1
12	36T7-001A8b	Solenoid mounting bracket	1	1
13	GB68-85-M4x6	Screw	3	3
14	36T7-002B1a1	Knife holding saddle	1	1
15	36T7-002B1a2	knife base(left)	1	1
16	36T7-002B1a3	Washer	1	1
17	36T7-002B1a4	Screw	3	3
18	36T7-002B2	Blade(left)	1	1
19	36T7-002B3	Set screw	2	2
20	36T7-002B4	Knife driving crank	1	1
21	61-04-01/B6	Screw	1	1
22	36T7-002B5	Link	1	1
23	36T7-002B6	Screw	2	2
24	36T7-002B7	Nut	2	2
25	36T7-003C1	Cam follower crank(1)	1	1
26	36T7-003C2	Cam follower crank(2)	1	1
27	36T7-003C3	Roller stud	2	2
28	36T7-003C4	Roller stud	2	2
29	36T7-003C5	Nut	2	2
30	36T7-004	Knife driving shaft	1	1



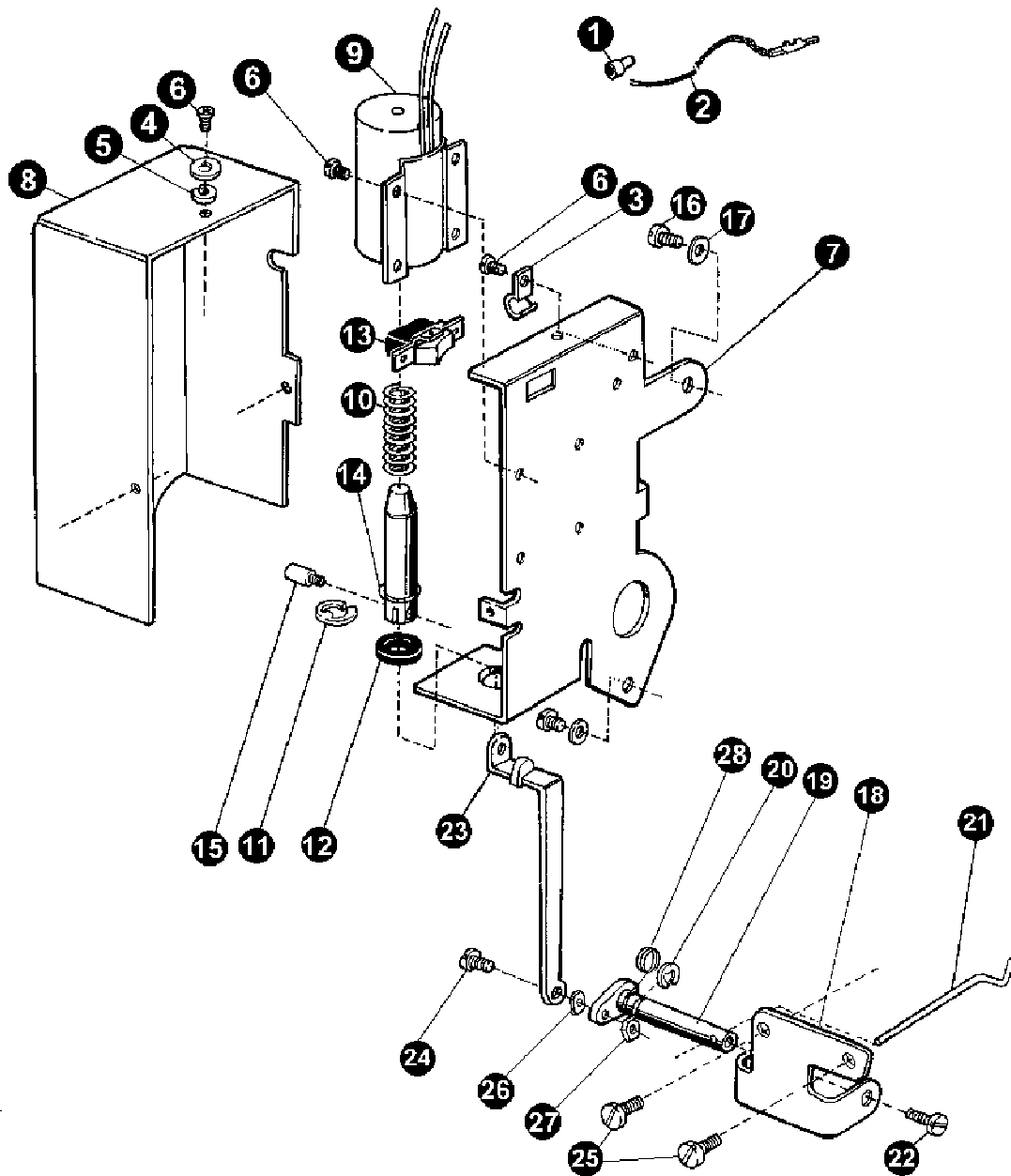
7. KNIFE ACTUATING MECHANISM

No.	Ref. No.	Description	Qt.	
			M	H
31	36T7-005	Coil spring	1	1
32	36T7-006	Bushing	1	1
33	165720004	Stopper	1	1
34	165720001	Stopper plate	1	1
35	GB6172-86-M6	Nut	1	1
36	165720002	Screw	1	1
37	36T7-009E1	Thread guide	1	1
38	22T1-003C6	Screw	1	1
39	36T7-009E2	Bracket for fixed blade	1	1
40	36T7-009E3	Fixed knife	1	1
41	36T7-009E4	Set screw	1	1
42	36T7-009E5	Adjusting screw	1	1
43	36T7-009E6	Adjusting nut	1	1
44	36T8-002	Set screw	2	2
45	36T7-010F	Flexible wire asm	1	1
46	36T7-011G	Earth wire asm	1	1
47	36T7-012	Plug	1	1
48	36T7-013	Rubber sleeve	1	1
49	36T7-014	Wire clamp	1	1
50	GB848-86-4	Washer	1	1
51	GB54-86-M5	Nut	2	2
52	22T2-019	Screw	8	8
53	36T8-002	Screw	2	2
54	22T5-010D4	Screw	3	3
55	36T9-001A2a2	Pin	2	2
56	36T7-001A9	Coil spring	1	1
57	36T7-001A10	Collar for driving lever	1	1
58	36T5-008E8	Screw	2	2
59	36T7-015H1	Collar for knife driving shaft	1	1
60	22T3-002B1	Screw	1	1
61	36T7-016	Coil spring	1	1
62	36T7-017	Guard for plug	1	1
63	165720003	Rubber washer	1	1
64	165710001	Cushion for olenoid asm.	1	1
65	GB96-85-5	Washer	1	1
66	GB896-86-12	Stop-ring	1	1
67	36T7-001A8a1	Washer	1	1



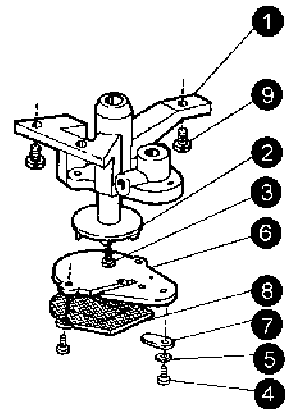
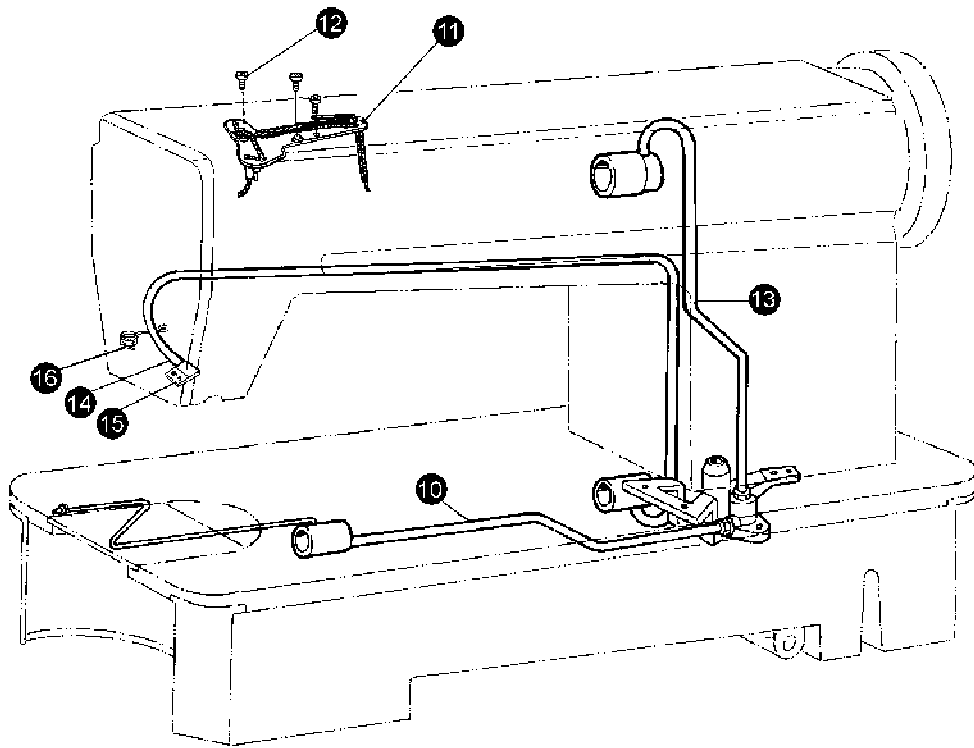
8. REVERSE SEWING AND DETECTOR MECHANISM

No.	Ref. No.	Description	Qt.	
			M	H
1	108930000	Detector componts	1	1
2	36T7-013	Rubber plug	1	1
3	22T2-019	Screw	4	4
4	22T1-006	Screw	6	6
5	22T1-007	Washer	8	8
6	165A20001	Detector presser plate	1	1
7	GB896-86-4	Split washer 4	2	2
8	36T8-009	Pin	1	1
9	36T8-008E4b	Electric-magnet for reverse sewing	1	1
10	GB97.1-85	Washer	2	2
11	GB859-87	Spring washer 3	2	2
12	036800005	Cord holder	1	1
13	036800006	Wire clamp	1	1
14	36T8-007C1	Switch bracket	1	
	029700100	Switch bracket		1
15	36T8-007C2a	Button asm	1	1
16	36T8-007C3b	Cable for switch at reverse sewing	1	1
17	GB859-86	Spring washer 2	2	2
18	GB848-86	Washer 2	2	2
19	GB818-85-M2x8	Screw	2	2
20	36T8-007C4	Micro switch	1	1
21	GB818-85	ScrewM2x4	2	2
22	36T8-007C5	Leaf spring	1	1
23	GB896-86	Split retaining ring 3	2	2
24	36T8-007C6	Coil spring	1	1
26	36T8-008E1	Gasket	1	1
27	165820001	Side cover	1	1
28	22T6-008D3	Screw	2	2
29	165320001	Balance wheel asm	1	1
30	36T8-004B1	Screw	1	1
31	36T8-004B2	Stop ring	1	1
32	027A00010	Wire clamp	1	1



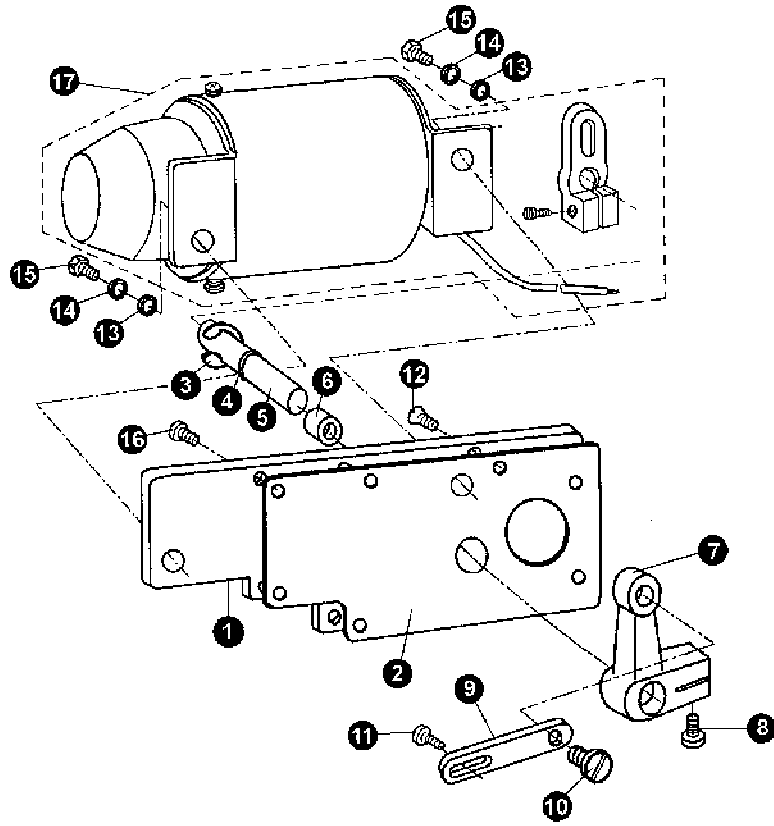
9. WIPER MECHANISM

No.	Ref. No.	Description	Qt.	
			M	H
1	36T9-001A1	Wire connector	1	1
2	36T9-001A2a	Wire	1	1
3	36T9-001A3	Cord clamp	1	1
4	GB848-86	Washer	8	8
5	GB859-86	Washer	8	8
6	GB818-85	Screw	8	8
7	36T9-001A4	Solenoid bracket	1	1
8	36T9-001A5	Cover for wiper mech	1	1
9	36T9-001A6	Solenoid for wiper	1	1
10	36T9-001A7	Coil spring	1	1
11	GB896-86	Retaining ring9	1	1
12	36T9-001A8	Rubber ring	1	1
13	36T9-001A9	Switch for wiper	1	1
14	36T9-001A10	WasherΦ13	1	1
15	36T9-002	Screw	1	1
16	22T5-001A4	Screw	2	2
17	36T9-003	Washer	2	2
18	027A00006	Wiper bracket	1	1
19	036921008	Wiper shaft asm	1	1
20	GB896-86	Retaining ring 4	1	1
21	027A00007	Wiper	1	1
22	22T6-001A4	Screw	1	1
23	36T9-004B4	Link	1	1
24	036921007	Shaft for reverse sewing lever	1	1
25	36T9-005	Screw	2	2
26	036921006	Washer	1	1
27	S120501001	NutM3	1	1
28	036921005	Spring	1	1
29	165900001	Washer	1	1



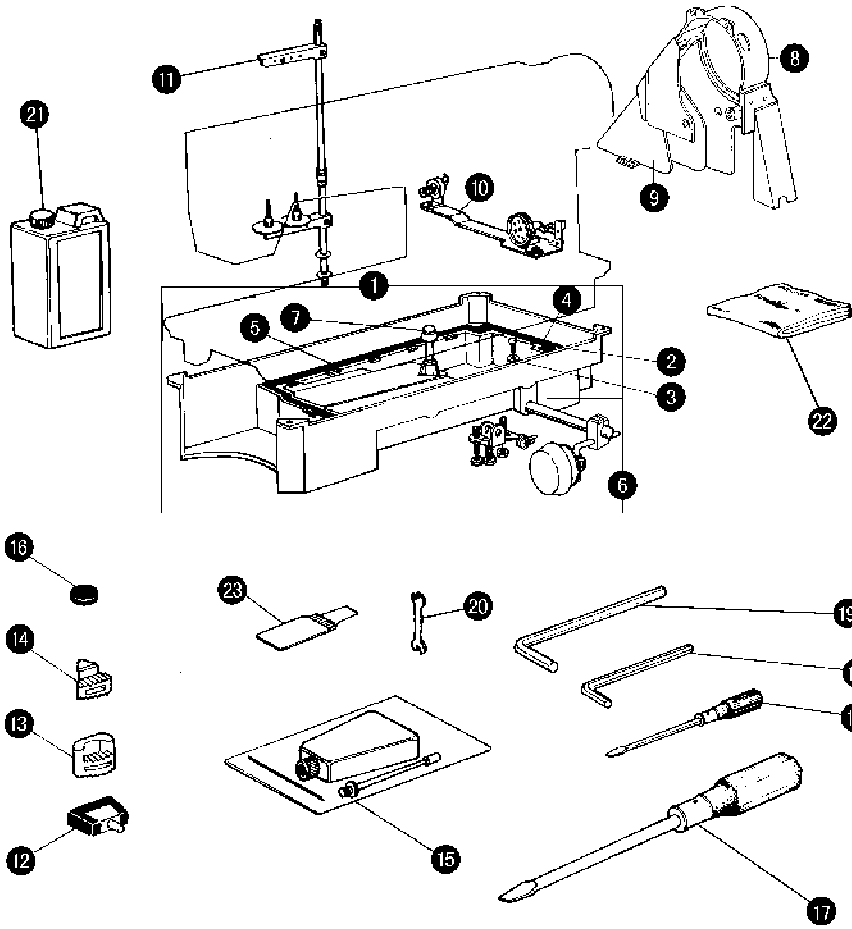
10. OIL PUMP MECHANISM

No.	Ref. No.	Description	Qt.	
			M	H
1	22T8-001	Oil pump	1	1
2	22T8-002	Oil pump impeller	1	1
3	22T8-003	Screw	1	1
4	22T8-004	Screw	3	3
5	GB93-87	Springee washer	1	1
6	22T8-006	Oil pump fitting plate	1	1
7	22T8-007	Oil adjusting plate	1	1
8	22T8-008A	Oil pump screen asm	1	1
9	22T8-009	Screw	3	3
10	22T8-010B	Oil pump for hook shaft	1	1
11	027810000	Oil braid fitting plate	1	1
12	22T7-015	Screw	2	2
13	22T8-013D	Oil pump for arm shaft	1	1
14	027800001	Oil return pipe	1	1
15	027800002	Felt pouch for return oil filter	1	1
16	027800003	Oil filter holder	1	1



11. AUTOMATIC FOOT LIFTER MECHANISM (OPTIONAL PART)

No.	Ref. No.	Description	Qt.	
			M	H
1	108C01000	Back plate	1	1
2	108C00002	Gasket for back plate	1	1
3	S150651004	Stop ring 8	1	1
4	S150633003	Washer 10	1	1
5	108C02004	Shaft	1	1
6	110280000	Seal	1	1
7	108C02002	Link crank	1	1
8	022612001	Screw SM3/16" (4.76)x28/12	1	1
9	108C02001	Link	1	1
10	108C02003	Screw	1	1
11	108C00001	Hinge screw	1	1
12	108C01003	Screw SM11/64" (4.37) x40/9.4	1	1
13	S150632002	Washer 6	2	2
14	S150632003	Washer 6	2	2
15	S150258005	Screw M6x12	2	2
16	022640003	Screw SM11/64" (4.37) x40/12	7	7
17	108C03000	Foot lifter solenoid	1	1



12. OIL RESERVOIR AND ACCESSORIES

No.	Ref. No.	Description	Qt.	
			M	H
1	36T11-001A	Oil reservoir asm	1	1
2	22T9-001A2	Screw	1	1
3	22T9-001A3	Washer	1	1
5	22T9-001A5	Oil gasket	1	1
7	165F010001	Knee lifter lifting pin	1	1
8	124T9-003B	Belt cover(B)	1	1
9	124T9-004C	Belt cover(S)	1	1
10	6F0	Thread winder asm(large hook)	1	1
11	GXJ-2	Thread spool asm	1	1
12	22T9-007F	Hinge with rubber cushion	2	2
13	22T9-009	Cushion(B)	2	2
14	22T9-010	Cushion(S)	2	2
15	22T9-011	Oil pot	1	1
16	22T9-012	Magnet block	1	1
17	22T9-013	Screw drive(long)	1	1
18	22T9-015	Screw drive(short)	1	1
19	36T11-006	Allen wrench M4 M6	each1	each1
20	22T9-016	Double open-end wrench	1	1
21	22T9-017	Oil tank	1	1
22	22T9-018	Machine head cover	1	1
23	22T9-024	Needle bag	1	1

Machine's main technical data

Model		6160MD3	6160HD3
Use for		Common materials	Medium heavy materials
Sewing speed		5000 S. P. M.	3500S. P. M.
Max. Stitch length		4 mm	5mm
Presser foot lift	By hand	6 mm	6mm
	By knee	11 mm	11mm
Needle		DP ×5 11#—14#	DP ×5 18#—22#
Rotating shuttle	automatic oiling		

- Besides adjusting stitch, please laypeople don't debug or maintain machine.
- Parts are subject to changes in design without prior notice.

XI'AN TYPICAL INDUSTRIES CO., LTD.

Add: No. 1 Taibai South Road,
Xi'an, P. R. China - 710088
Tel : +86 - 29 - 88279091 88279150
Fax : +86 - 29 - 88249715 88245215
E-mail: typical@chinatypical.com
Http: www. chinatypical. com
Http: www. globalsources. com

2005. 12. 23 ②